



ski-doo ***LYNX*** ***SEA-DOO*** ***EVINRUDE*** ***ROTAX*** ***Can-am***

OUTLANDER RENEGADE

**ACCESSORIES
RIDING GEAR
GENUINE PARTS**

**EUROPE, MIDDLE EAST
AND AFRICA**



2018

can-am





***ENHANCE & EXTEND YOUR OFF-ROAD EXPERIENCE
WITH ACCESSORIES BUILT BY CAN-AM FOR CAN-AM.***



*Wherever you're going,
and whatever you're doing,
Can-Am Off-Road accessories
can help get you there
and get it done – faster
and more efficiently.
High-quality, innovative
accessories that work right,
fit right and feel right because
they're developed or approved
by Can-Am for Can-Am.*

QUALITY FIRST.

The very best off-road accessories have to begin somewhere. At Can-Am, it all starts with our unwavering commitment to innovation, quality and seamless integration. It goes into everything we do, and everything we make; that's why we excel. High-performance engineering drives our race for perfection, quality steers it, and the result is Can-Am off-road customization that meets the very highest of standards. Yours.

RUGGED RELIABILITY.

Countless years of expertise and experience have allowed Can-Am to create off-road accessories without equal. Because they're created in parallel with the vehicles they're designed for, they come with an extra measure of confidence. Our guarantee. Genuine Can-Am accessories installed by you or an authorized dealer are covered for two entire years. Rely on it!

STYLE & VISION.

You get far more out of your Can-Am off-road vehicle when you customize it with genuine top-quality Can-Am accessories. But we've also gone the extra mile when it comes to design – so choosing Can-Am accessories means you always enjoy the very latest look – one that matches both your ride and your style.

ACCESSORIES RIDING GEAR GENUINE PARTS

ATV ACCESSORIES

- 8 COMPATIBILITY GUIDE
- 10 CARGO & STORAGE
- 17 WINDSHIELDS
- 19 HANDLEBARS & MIRRORS
- 20 SEAT KITS
- 21 RACKS & HOLDERS
- 24 SKID PLATES
- 28 BUMPERS & GUARDS
- 31 LIGHTS & ELECTRICAL

- 34 WINCHES
- 37 MULTITRAILER
- 37 HITCHES
- 38 PERFORMANCE
- 42 COVERS, DECALS & ADD-ONS
- 43 APACHE TRACK SYSTEMS
- 46 SNOWBLOWER
- 46 PLOWS
- 47 ALPINE FLEX PLOWS

ALWAYS
CHECK OUT THE
COMPATIBILITY GUIDE
P.8-9 BEFORE
YOU CUSTOMIZE

TIRES & RIMS

- 49 ALPINE SUPER-DUTY
STEEL PLOWS
- 52 OUTLANDER 6X6
ACCESSORIES
- 55 TIRES
- 56 RIMS



CAN-AMOFFROAD.COM



Check out our videos to learn more about our new innovative riding gear and accessories.



Explore our interactive online catalog. Instantly explore products, videos, large format images and share with friends!



Learn about and purchase XPS oils and lubricants.

OUTLANDER RENEGADE

SPORTSWEAR & RIDING GEAR

- 58 CAN-AM SPORTSWEAR
- 62 JERSEYS
- 62 MUD GEAR
- 63 JACKETS & PANTS
- 68 BOOTS
- 69 GOGGLES

- 70 HELMETS
- 71 DUST MASKS
- 71 COMMUNICATION SYSTEM
- 72 GLOVES
- 72 BAGS
- 73 SIZING CHART

PARTS & MAINTENANCE

- 74 GENUINE PARTS
- 77 OILS & MAINTENANCE



GOING GLOBAL

This catalog, global in nature, shares BRP's full parts, accessories and clothing product offering. Some products may not be available in your country, due to different climates, local certifications and/or legal requirements. Contact your BRP dealer for local specifics.

Visit instructions.brp.com for BRP accessories instruction sheets. You will find complete installation instructions, part number lists and service kits for repair and maintenance.



BRP LIMITED WARRANTY*

FOR NEW PARTS, ACCESSORIES AND RIDING GEAR.

2 YEAR LIMITED WARRANTY**

4 YEARS LIMITED WARRANTY**

AFTERMARKET PRODUCTS SOLD THROUGH BRP¹
RIDING GEAR

HELMETS

OUTLANDER ACCESSORIES BUILT FOR





PUMP UP YOUR OUTLANDER

**ADD MUCH MORE MUSCLE, VERSATILITY, COMFORT, PROTECTION,
& RUGGED ABILITY WITH OUR SELECTED ACCESSORIES
BUILT FOR TAKING ON THE TOUGHEST JOBS.**

- | | | |
|----------|--|--------------|
| 1 | LinQ LOW PROFILE BASKET | P. 16 |
| 2 | LinQ BASE | P. 15 |
| 3 | LinQ HEAVY-DUTY BASKET | P. 16 |
| 4 | XT FRONT BUMPER | P. 29 |
| 5 | EXTREME FRONT BUMPER | P. 29 |
| 6 | XT REAR BUMPER | P. 29 |
| 7 | CAN-AM TERRA 35 WINCH BY SUPERWINCH[†] | P. 35 |

OUTLANDER ACCESSORIES BUILT FOR THE





PUMP UP YOUR OUTLANDER
EQUIP YOURSELF WITH ACCESSORIES BUILT FOR THE TRAIL AHEAD
AND RIDE WITH MUCH MORE COMFORT,
AGILITY, VISIBILITY, STYLE, & CARGO CAPACITY.

- | | |
|---|-------|
| 1 DELUXE FAIRING | P. 17 |
| 2 HIGH WINDSHIELD | P. 17 |
| 3 LinQ 23 GAL (86 L) TRUNK BOX | P. 13 |
| 4 LinQ 6" (15 CM) RACK EXTENSION | P. 21 |

ATV ACCESSORY COMPATIBILITY GUIDE

WE'VE MADE THINGS SUPER SIMPLE.

Determine your **MODEL YEAR**, find your **MODEL** and **ENGINE CONFIGURATION**, and that'll reveal your **PLATFORM CODE**.

This **PLATFORM CODE** will let you know at a glance if the accessory is compatible with your vehicle.

EXAMPLE



FULL WRAP ALUMINUM MOUNTING KIT

- Lightweight black die cast aluminum construction.
- Includes complete hardware.
- Handlebar wind deflectors sold separately.

→ Fits: **G2, G2L, G2S**
715001378

MODEL YEAR	MODEL	ENGINE CONFIGURATION	PLATFORM CODE
2013	Outlander	400	G1
	Outlander	500, 650, 800, 1000	G2
	Outlander MAX	400	G1
	Outlander MAX	500, 650, 800, 1000	G2
	Renegade	500, 800, 1000	G2S



2014	Outlander	400	G1
	Outlander	500, 650, 800, 1000	G2
	Outlander MAX	400	G1
	Outlander MAX	500, 650, 800, 1000	G2
	Renegade	500, 800, 1000	G2S



For G1 accessories, refer to your local dealer.

Some products shown may not be available or homologated in your country. Contact your BRP dealer for local details.

MODEL YEAR	MODEL	ENGINE CONFIGURATION	PLATFORM CODE
2015	Outlander L	450,500	G2L
	Outlander	500, 650, 800, 1000	G2
	Outlander L MAX	450, 500	G2L
	Outlander MAX	500, 650, 800, 1000	G2
	6x6	650, 1000	G2
	Renegade	500, 800, 1000	G2S



2016	Outlander L	450, 570	G2L
	Outlander	570, 650, 850, 1000	G2
	Outlander L MAX	450, 570	G2L
	Outlander MAX	570, 650, 850, 1000	G2
	6x6	650, 1000	G2
	Renegade	570, 850, 1000	G2S



2017	Outlander	450, 570	G2L
	Outlander	650, 850, 1000	G2
	Outlander MAX	450, 570	G2L
	Outlander MAX	650, 850, 1000	G2
	6x6	650, 1000	G2
	Renegade	570, 850, 1000	G2S



2018	Outlander	450, 570	G2L
	Outlander	650, 850, 1000	G2
	Outlander MAX	450, 570	G2L
	Outlander MAX	650, 850, 1000	G2
	6x6	650, 1000	G2
	Renegade	570, 850, 1000	G2S



CARGO BOX OPTIONS

**RUGGED LinQ CARGO BOXES INSTALL
& REMOVE IN SECONDS!**

**RELIABLE & DURABLE, THEY'RE PERFECT
FOR WORK & PLAY.**



LinQ SYSTEM™ CARGO BOXES

THERE'S A STORAGE SOLUTION THAT FITS YOU.



**LinQ 8 GAL / 30L
COOLER BOX**
715002892 P.13

KEEP THINGS COOLER, LONGER.



**LinQ 11.5 GAL / 43L
AUDIO CARGO BOX**
715003018 P.14

**BRING YOUR
GEAR & YOUR
TUNES ALONG
FOR THE RIDE.**

DID YOU KNOW?

The **LinQ System** originated in 2009 alongside the development of the Can-Am ATV G2 platform during which the BRP designers began to focus on racks and cargo. Until LinQ, riders had relied on tangled nets of bungee cords to strap down cargo, a solution that was prone to frequent failure. Once again necessity became the mother of invention and over time the innovative, modular LinQ system has proven to be a game changer, setting new standards for practicality and durability. Because of its great success, BRP has developed the LinQ system for its range of Ski-Doo accessories.



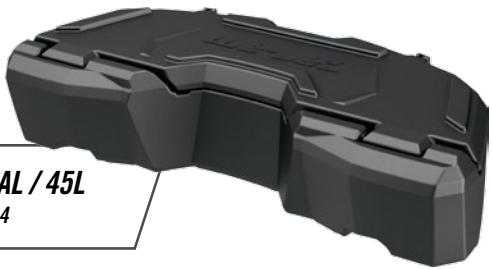
BRING ALL YOU NEED FOR THE RIDE, INCLUDING YOUR FAVORITE TUNES!

LinQ 11.5 GAL (43L) AUDIO CARGO BOX

CATCH THE VIDEO



CAN-AMOFFROAD.COM



LinQ 12 GAL / 45L
715003879 P.14



LinQ 23 GAL / 86L
715002474 P.13



LinQ 32 GAL / 124L
715001749 P.12
715001747 P.12
715001750 (EC) P.12
715001748 (EC) P.12

OUTLANDER RENEGADE

LinQ 32 GAL (124L) TRUNK BOXES

Seamless integration with vehicle

- Built from the design stage to specifically match your Can-Am vehicle.
- Totally cohesive design eliminates the need to modify your vehicle in any way*.
- Rear tail light.

Easy quick-attach installation

- Equipped with the LinQ System, the rear trunk box plugs in and out in seconds.
- Instantly transforms your vehicle to suit the need of the moment.

Unparalleled storage

- 32 Gal (124L) load capacity with contiguous unobstructed space to maximize storage room and access to the trunk's interior.

Built tough

- Made of injection-molded polyethylene, double walled in critical areas.

Dust & weather proof

- The fully sealed lid protects your belongings from dust, moisture and the elements.



LinQ SYSTEM™

LinQ 32 GAL (124L) TRUNK BOX

- LinQ Retrofit Adaptor Plate (715001334) is required for G1 models.
- Trunk Box Panels available in many colors to match your vehicle (sold separately).
- LinQ Luggage Rack (715001734) is required for G2S.

Fits: G2 (except MAX models & 6x6), G2S
715001747

EUROPEAN VERSION (EC compliant)
• No rear tail light
715001748



ERGONOMIC PADDING MADE OF CLOSED CELL FOAM.



LinQ SYSTEM™

LinQ 32 GAL (124L) TRUNK BOX FOR OUTLANDER MAX

- Passenger comfort is ensured on active rides as well as longer recreational rides thanks to the ergonomically designed passenger padding comfort-fitted with a portion made of closed cell foam that won't absorb water.
- Very easy to embark even when driver is seated.
- Trunk Box Panels available in many colors to match your vehicle (sold separately).

Fits: G2 (MAX models only)

715001749

includes:

708200323 - Rod kit

708200324 - comfort panels

710002330 - rear light

293250309 - neoprene seal

708200249 - lock and key

710002299 - harness

708200326 - Hinge Kit

includes right and left side

EUROPEAN VERSION (EC compliant)

• No rear tail light

715001750

LinQ 32 GAL (124L) TRUNK BOX PANELS

- Color panels to match the 32 Gal (124L) LinQ Trunk Box to your vehicle.

Fits: LinQ 32 Gal (124L) Trunk Boxes

715001391 - Black

715001392 - Yellow

715001395 - Viper Red

715002481 - White

715002480 - Light Grey

715002984 - Octane Blue

715002985 - Manta Green

715002986 - Can-Am Red

EUROPEAN VERSION (EC compliant)

- No rear tail light

715001397 - Black

715001398 - Yellow

715002482 - Light Grey

715002483 - White



CAMO DECALS FOR BLACK TRUNK BOX PANELS

- Camo pattern perfectly matches your camo vehicle.

Fits: Black LinQ 32 Gal (124L) Trunk Box Panel

715002975 - Mossy Oak Break-Up Country Camo

715001683 - Next G-1 Vista Camo



MOSSY OAK BREAK-UP COUNTRY



NEXT G-1 VISTA



LinQ SYSTEM™

LinQ REPLACEMENT PART

715001707

* WARNING: You should never accessorize your Can-Am off-road vehicle with accessories not approved by BRP because your vehicle may no longer meet certain safety and construction standards. This situation could increase the risk of severe injury or death and render your vehicle not legal for use.

NOT SURE IF AN ACCESSORY FITS YOUR MODEL? CHECK OUT OUR ACCESSORY COMPATIBILITY GUIDE ON P.8-9

Some products shown may not be available or homologated in your country. Contact your BRP dealer for local details.



OUTLANDER RENEGADE



PREMIUM INSULATION KEEPS THINGS COOLER, LONGER!

LINQ
SYSTEM™

LinQ 8 GAL (30L) COOLER BOX

- Installs without vehicle modification.
- LinQ mounted for easy-on, easy-off installation.
- Rotomolded construction provides exceptional rigidity and durability.
- Premium-quality foam insulation for optimal ice retention.

Fits: G2, G2S

715002892

- Integrated, fully-removable compartment protects food.
- Weather-resistant, lockable.
- Convenient drain plug.
- LinQ Luggage Rack (715001734) is required for G2S.



LINQ
SYSTEM™

LinQ 23 GAL (86L) TRUNK BOX

- Installs without vehicle modification.
- LinQ mounted for easy-on, easy-off installation.
- Lockable and weather-resistant.

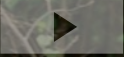
Fits: G2 (except 6x6), G2L, G2S

715002474

- Holds cargo safely and securely while riding.
- Comfort pads for passenger.
- LinQ Base (715002350) is required for G2L.

WE'VE PACKED AN ENTIRE SOUND SYSTEM INTO OUR LinQ AUDIO CARGO BOX!

CATCH THE VIDEO



CAN-AMOFFROAD.COM



OUTLANDER RENEGADE



LinQ 11.5 GAL (43L) AUDIO CARGO BOX

- Delivers the best sound quality on the market to sweeten your ride courtesy of a built-in full range high efficiency amplifier.
- Mounts on/off easily to hold/carry cargo safely and securely.
- Automatic shut-off function protects your battery by turning the system off after 10 minutes of inactivity.
- Water-resistant speakers.
- The Bluetooth enabled receiver and 6.5" (16.5 cm) speakers are smartly concealed and integrated in the cover.
- Backlit control panel perfect for night riding.
- LinQ Base (715002350) is required for G2L.
- LinQ Luggage Rack (715001734) is required for G2S.

Fits: G2 (front only for 6x6 & MAX models 2013-2014), G2L, G2S

715003018



LinQ 12 GAL (45L) CARGO BOX

- Installs without vehicle modification.
- LinQ mounted for easy-on, easy-off installation.
- Holds cargo safely and securely while riding.
- LinQ Base (715002350) is required for G2L.
- LinQ Luggage Rack (715001734) is required for G2S.

Fits: G2 (front only for 6x6 & MAX models 2013-2014), G2L, G2S (EC compliant)

715003879



LinQ DELUXE MODULAR BAG

- Installs without vehicle modification.
- LinQ mounted for easy-on, easy-off installation.
- Tool-less installation and removal.
- Versatile, rugged and spacious.
- Ideal for carrying anything you need in any conditions.
- Weatherproof, scratch-resistant, with molded rubber bottom.
- Central compartment can be used alone on the rack.
- Removable bin.
- LinQ Luggage Rack (715001734) is required for G2S.

Fits: G2 (front only for 6x6), G2S

12 Gal (44L) Bag

715001695

20 Gal (73L) Bag

715001694



OUTLANDER RENEGADE

SOFT STORAGE BAG

- 3-section bag.
- Transport gear in a weatherproof bag.
- 11.8 Gal (45L) capacity soft cargo bag designed with vehicle's rear or front rack and rack extensions in mind to maximize potential storage.
- LinQ Luggage Rack (715001734) is required for G2S.

Fits: G2, G2L, G2S

715003759 - Black

715001935

Mossy Oak Break-Up Country Camo



PROTECTS YOUR GEAR. ORGANIZES YOUR STORAGE & MAXIMIZES VERSATILITY.



STORAGE 2.6 GAL (10L) BAG

- Roll-top dry bag for fully protecting your cargo from the elements.
- Fits in rear compartment of your vehicle.

Fits all

269502121



LinQ
SYSTEM™

LinQ STORAGE BOX 2 GAL (7.5L)

- Features easy quick-attach LinQ installation on Outlander front and rear racks.
- Also installable behind the driver seat on Outlander MAX.
- Fully sealed box provides additional storage for essential and valuable items.
- LinQ Luggage Rack (715001734) is required for G2S.

Fits: G2, G2S (MY14 and prior)

708200255

Fits: G2, G2L (G2 L MAX only behind the driver seat), G2S (MY15 and up)

708200408



LinQ
SYSTEM™

LinQ BASE

- Made of polypropylene glass fiber.
- Allows you to install LinQ accessories.
- Sold in pack of 4.

Fits: G2L

715002350

CARGO BAG

- Rugged all-purpose cargo bag with rain cover for additional protection against the elements.
- LinQ Luggage Rack (715001734) is required for G2S.

Fits: G2, G2L, G2S

280000539 - Black



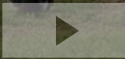
**RAIN COVER FOR
ADDITIONAL PROTECTION**





LinQ SYSTEM MOUNTS STEEL BASKET IN SECONDS SO YOU CAN LOAD & GO QUICKER

CATCH THE VIDEO



CAN-AMOFFROAD.COM

OUTLANDER RENEGADE



LinQ HEAVY-DUTY BASKET

- Made of high strength, low-alloy steel.
- Installs without vehicle modification.
- LinQ mount for easy-on, easy-off installation.
- Can be placed on both front and back racks of vehicle.
- LinQ Base (715002350) is required for G2L.
- LinQ Luggage Rack (715001734) is required for G2S.

Fits: G2, G2L (front only for MAX models), G2S

715001215



LinQ LOW PROFILE BASKET

- Low profile, open basket increases cargo space.
- Perfect for easy access to tools, rope, winch and plow accessories.
- Multiple bungee cord and tie-down anchor points.
- Made of impact-resistant injected polypropylene.
- LinQ Base (715002350) is required for G2L.

Fits: G2L (front only for MAX models)

715003027

RENEGADE



REAR BAG FOR RENEGADE 4.5 GAL (17L)

- Weatherproof, scratch-resistant, with a molded rubber bottom.
- Tool-less installation and removal.
- With 2 straps that go underneath the rack and click into the front of the bag.
- Requires Rear Aluminum Rack.

Fits: G2S

715002391

OUTLANDER

CREATE YOUR ULTIMATE WIND PROTECTION IN 3 EASY STEPS

1 CHOOSE A DELUXE FAIRING COLOR

DELUXE FAIRING

- Innovative, richly-featured wind protection.
- Quick tool-less removal once base brackets are mounted on handlebar.
- 2 cup holders.
- GPS-mounting-kit-ready.
- Optional mirrors and auxiliary lighting.
- Requires low, high or extra high windshield.
- Tapered Handlebar Adaptor Kit is required for vehicles with 1 1/8" (28 mm) tapered aluminum handlebars.

Fits: G2 (except X mr & 6X6), G2L

715000935 - Yellow

715001231 - Red

715001232 - Black

715002479 - Light Grey



CAMO DECALS FOR BLACK DELUXE FAIRING

- Camo pattern perfectly matches your camo vehicle.

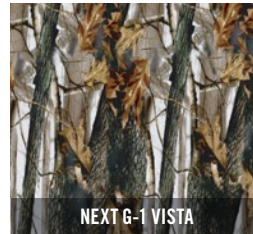
Fits: Deluxe Fairing

715002976

Mossy Oak Break-Up Country Camo

715001684

Next G-1 Vista Camo



TAPERED HANDLEBAR ADAPTOR KIT

(Not illustrated)

- Required to install Deluxe Fairing on an Outlander X-TP and on any vehicle equipped with 1 1/8" (28 mm) tapered aluminum handlebars.

Fits: Deluxe Fairing

715002470

2 CHOOSE A DELUXE WINDSHIELD



LOW WINDSHIELD

- 6" (15 cm) windshield allows you to keep your vehicle looking sporty while giving you some protection from the elements and the possibility of enjoying directional lighting.
- Tool-less installation and replacement.

Fits: Deluxe Fairing

715001227



HIGH WINDSHIELD

- 11" (28 cm) high, for wind protection and winter applications.
- Tool-less installation and replacement.

Fits: Deluxe Fairing

715001211



EXTRA HIGH WINDSHIELD

- 16" (41 cm) windshield provides the ultimate protection against the elements while touring.
- For wind protection and winter applications.
- Tool-less installation and replacement.

Fits: Deluxe Fairing

715000936

3 YOU MIGHT ALSO LIKE...

AUXILIARY WINDSHIELD LIGHTING

- 2 premium LED spots for Deluxe Fairing for both increased output and directional lighting.
- 1,800 lumens.
- 2 10W LED Cree light kit.
- Long-range illumination up to 350' (107 m), drawing less than 1 amp per light.

Fits: Deluxe Fairing

715003115



DELUXE MIRROR KIT

- Improved mounting system.
- Wide rear view.
- Perfect fit with your Deluxe Fairing and Deluxe Windshield.

Fits: Deluxe Fairing

715002353





DESIGN YOUR OWN DELUXE WIND PROTECTION SOLUTION SEE P. 17



OUTLANDER RENEGADE

PROVIDES EXCELLENT WIND PROTECTION

SPORT WINDSHIELD

- Offers your Renegade wind protection without compromising its sporty look.
- Fits straight and tapered handlebars.
- Easy mounting system allows you to install it effortlessly.

Fits: G2S (except X mr)

- 715001212 - Yellow
- 715001429 - White
- 715001468 - Black



HIGH WINDSHIELD KIT

- Provides excellent wind protection.
- Fits straight and tapered handlebars.
- Easy mounting system allows you to install it effortlessly.

Fits: G2, G2L, G2S (except X mr)

- 715001937 - Yellow
- 715001938 - Black
- 715002061 - Red



OUTLANDER RENEGADE



HANDLEBAR WIND DEFLECTORS

- Rugged injected plastic construction with Can-Am logo.
- Include removable cap for air flow adjustment.
- Mounting kit sold separately.

Fits: G2, G2L, G2S

715000525 - Black / Yellow
 715000537 - White / Black
 715001706 - Black / Black
 715000733 - Yellow / Black

715003811 - Can-Am Red / Black
 715003812 - Manta Green / Black
 715003813 - Orange / Black
 715003814 - Octane Blue / Black



PASSENGER WIND DEFLECTORS

- These wind deflectors fit on the passenger handles and provide greater comfort while riding.
- Easy to install and remove.

Fits: G2 and G2L (MAX models only)

715001669

FULL WRAP ALUMINUM MOUNTING KIT

- Lightweight black die cast aluminum construction.
- Includes complete hardware.
- Handlebar wind deflectors sold separately.

Fits: G2, G2L, G2S

715001378



SHORT ALUMINUM MOUNTING KIT

- Lightweight black die cast aluminum construction.
- Includes complete hardware.
- Handlebar wind deflectors sold separately.

Fits: G2, G2L, G2S

715001379



ALUMINUM TAPERED HANDLEBAR

- 7/8"- 1 1/8" (22 mm - 28 mm) tapered handlebar made of 6061-T6 aluminum.
- Includes all hardware, center steering foam and cover.

Fits: G2, G2L, G2S

715000550

MIRROR KIT FOR HANDLEBAR WIND DEFLECTORS

- Do not fit with Full Wrap Aluminum Mounting Kit (715001378).
- Sold in pairs.

Fits: Handlebar Wind Deflectors

860200080



XT HANDLEBAR PROTECTOR KIT

- Not compatible with Mud Strap (715003053).

Fits: G2, G2L

703100352 - Black

MIRRORS

- True vision surface 5" x 3" (13 cm x 8 cm).
- Matte finish.
- Stem includes 3/8" (10 mm) thread.

Left - 3/8" (10 mm)

- Bracket (715000190) is required for installation on DS 450.
- Bracket not required for installation on Outlander and Renegade.

709400406

Right - 3/8" (10 mm)

- Bracket (715000190) required except for vehicles with right hand break.

709400523



20 SEAT KITS

**DRIVER BACKREST DELIVERS
EXTRA SUPPORT SO YOU CAN
COVER EXTRA MILES!**



OUTLANDER



NEW DRIVER BACKREST

- Provides the rider's back with that extra support that makes riding that extra mile way more comfortable.
- Adjusts horizontally to match the driver's height and preference.
- Mounts and locks in firmly onto the vehicle.

Fits: G2
(except MAX models,
EC compliant)

715003940

Fits: G2 and G2L
(MAX models only,
EC compliant)

715003942

Fits: G2L
(except MAX models,
EC compliant)

715003941



OUTLANDER MAX PASSENGER SEAT KIT

- Perfect to replace used or damaged passenger seat.

Fits: G2 2015 and up, G2L
(MAX models only)

715002373

Fits: G2 2013-2014 (MAX models only)
except with 400 engine)

715002032

CATCH THE VIDEO



CAN-AMOFFROAD.COM



OUTLANDER RENEGADE



LinQ
SYSTEM™

LinQ 4" (10 CM) RACK EXTENSION

- Fits front or rear.
- Strong and durable.
- Helps keep cargo securely in place.
- Easy and tool-less installation thanks to the LinQ System.

Fits: G2, G2S

715001711 - Silver

715001665 - Black

- Anti-corrosion coating with durable powder coat finish.
- LinQ Luggage Rack (715001734) is required for G2S.



LinQ
SYSTEM™

LinQ 6" (15 CM) RACK EXTENSION

- Fits front or rear.
- Strong and durable.
- Helps keep cargo securely in place.
- Easy and tool-less installation thanks to the LinQ System.

Fits: G2, G2S

715001712 - Silver

715001671 - Black

- Anti-corrosion coating with durable powder coat finish.
- LinQ Luggage Rack (715001734) is required for G2S.



OUTLANDER



5" (13 CM) RACK EXTENSION

- Fits front or rear.
- Made of carbon steel.
- Provides tie-down points to secure cargo on racks.

Fits: G2L

715001913

- Easy installation on tubular rack.
- Anti-corrosion coating with durable powder coat finish.



8" (20 CM) RACK EXTENSION

- Fits front or rear.
- Made of carbon steel.
- Provides tie-down points to secure cargo on racks.

Fits: G2L

715001914

- Easy installation on tubular rack.
- Anti-corrosion coating with durable powder coat finish.

RENEGADE



LinQ LUGGAGE RACK

- Bolt-on rack.
- Enables use of LinQ mounted accessories on the G2S.

Fits: G2S

(except X mr models)

715001734



REAR ALUMINUM RACK

- 30 lb (14 kg) capacity.
- Compact, lightweight aluminum construction.

Fits: G2S

715001360

- Engraved Can-Am logo.
- Stamped 5052 aluminum center plate.
- Easy to install.

BOLT-ON RACK QUICKLY & EASILY LETS YOU ADD LinQ MOUNTED CARGO ONTO YOUR RENEGADE!



OUTLANDER



LinQ GUN BOOT RACK

- (Not illustrated)
- This lightweight Gun Boot Rack can be mounted on either side of your Outlander using the tool-less LinQ System.
- For use with Gun Boot 6.0 Impact by Kolpin.

Fits: G2 (except MAX, 6X6 & X mr 1000)

715002112 • Black

Fits: G2 (MAX & X mr 1000 models only)

715002113 • Black



715001919

GUN BOOT RACK

- Made of steel.
- Designed for the tubular rack.
- For use with Gun Boot 6.0 Impact by Kolpin.
- Can be mounted to either side of the vehicle.

Fits: G2L (except MAX models)

715001918

Fits: G2L (MAX models only)

715001919



GUN BOOT 6.0 IMPACT⁺ BY KOLPIN[†]

- Extra room for pistol-grip-type weapons and small bipods.
- Easily fits firearms up to 51" (130 cm) in total length.
- Provides ample room for 2 3/8" (60 mm) scopes.
- Hatchback design allows easy access.
- Ergonomically designed handle and molded attachment points for sling.

- Snap-close cover with locking capability.
- Designed to accommodate left and right hand bolt-action rifles and shotguns.
- Includes removable, shock absorbing foam and nylon impact liner for superior interior protection.
- Requires appropriate mounting kit for installation.

Fits: G2, G2L

715001419

MULTI-FIT HOLDER

- Open u-shaped bracket for carrying tools (shovel, axe) and hunting weapons (rifle, bow) that are safely secured, but easily accessible.
- Easy installation on tubular rack, extension racks, basket or bumpers.
- For G2 the LinQ Rack Extension is required.
- Sold in pairs.

Fits: G2, G2L

Single

715002354

Fits: G2, G2L

Double

715001945



GEAR GRIPS BY KOLPIN

- Durable, flexible grips cushion and protect while providing a custom fit for a variety of items from 1" to 4" (2.5 cm to 10 cm) in diameter.
- Heavy-duty design for carrying bows, fishing poles, rakes, farm tools and more.
- Quick-release button opens grip quickly for easy access to gear.
- Heavy-duty base system built for the toughest adventures.
- Easy installation on tubular racks, extension racks, brackets or bumpers.
- Sold in pairs.

Fits: G2L

715001421



OUTLANDER RENEGADE



LinQ MOUNTED GEAR GRIPS BY KOLPIN

- (Not illustrated)
- Same features as Gear Grip by Kolpin (715001421).
- Make transporting your tools a snap by combining the Gear Grips with the LinQ System.
- 360° orientation.
- LinQ Luggage Rack (715001734) is required for G2S.

Fits: G2, G2S

715001351



LinQ TOOL HOLDER

- Ultra-versatile tool holder.
- Convenient swivel-latch allows tools to be stored in any orientation.
- LinQ Luggage Rack (715001734) is required for G2S.
- Sold in pairs.

Fits: G2, G2S

715003059



OUTLANDER

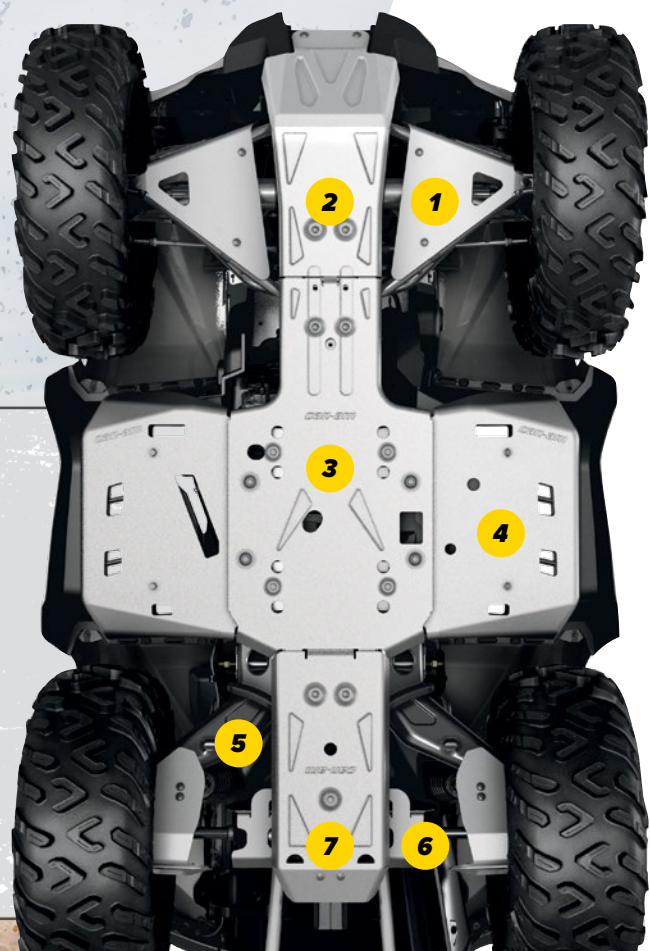


ALUMINUM SKID PLATES

Our Aluminum Plates are made with high strength 5052 H32 aluminum. A must-have for rugged terrain.

Offer your Outlander **THE FULL PROTECTION KIT**

or
GET THEM INDIVIDUALLY



FIND YOUR PLATFORM



G2 2016 & PRIOR (EXCEPT MAX MODELS)	G2 2017 & UP (EXCEPT MAX MODELS)	G2 2016 & PRIOR (MAX MODELS & OUTLANDER X MR 1000 ONLY)	G2 2017 & UP (MAX MODELS & OUTLANDER X MR 1000 ONLY)	G2L (EXCEPT MAX MODELS)	G2L (MAX MODELS ONLY)	G2 (6X6 ONLY)
-------------------------------------	----------------------------------	---	--	-------------------------	-----------------------	---------------

ALUMINUM SKID PLATE PROTECTION KIT

715002137	715004197	715002138	715004198	715004199	715004200	
-----------	-----------	-----------	-----------	-----------	-----------	--

INDIVIDUAL ALUMINUM SKID PLATES

<p>1 A-ARM PROTECTORS</p> <ul style="list-style-type: none"> • 1/8" (3 mm) thick lightweight and durable design. • Add more protection to the CV joints and rubber boots. 	<ul style="list-style-type: none"> • Drain holes to release water, mud and debris. • Easy to install. • Replace stock plastic protectors. • Sold in pairs. • Except X mr models. 	715001667	715001667	715001667	715001667	715001667	715001667
<p>2 FRONT SKID PLATE</p> <ul style="list-style-type: none"> • 3/16" (4.5 mm) thick and die-formed for strength and durability. 	<ul style="list-style-type: none"> • Use in conjunction with the central skid plate for full frame protection. 	715000926	715000926	715000926	715000926	715001906	715001906
<p>3 CENTRAL SKID PLATE</p> <ul style="list-style-type: none"> • 3/16" (4.5 mm) thick for durability and strength. • Drain holes to release water, mud and debris. 	<ul style="list-style-type: none"> • Allows access to oil drain plug. • Must be installed with front skid plate. 	715002078	715002078	715002078	715002078	715002078	715002078
<p>4 FOOTWELL PROTECTOR PLATES</p> <ul style="list-style-type: none"> • 1/8" (3 mm) thick lightweight and durable design. 	<ul style="list-style-type: none"> • Use in conjunction with the central skid plate. • Drain holes to release water, mud and debris. • Sold in pairs. 	715001359	715001359	715001359	715001359	715001359	715001359
<p>5 TRAILING ARM PROTECTORS</p> <ul style="list-style-type: none"> • 1/8" (3 mm) thick lightweight and durable design. 	<ul style="list-style-type: none"> • Replace stock plastic protectors. • Sold in pairs. 	715001129	715003741	715001129	715003741	715003741	715001129 (2016 & prior) 715003741 (2017 & up)
<p>6 REAR DIFFERENTIAL PROTECTORS</p>	<ul style="list-style-type: none"> • 1/8" (3 mm) thick lightweight and durable design. • Replace stock plastic protector. 	715000920	715000920	715000920	715000920	715000920	715000920
<p>7 REAR SKID PLATE</p> <ul style="list-style-type: none"> • 3/16" (4.5 mm) thick for durability and strength. 	<ul style="list-style-type: none"> • Must be installed with the central and front skid plates. 	715002028	715002028	715002029	715002029	715002028	715002029

Some products shown may not be available or homologated in your country. Contact your BRP dealer for local details.

SKID PLATES

25

OUTLANDER RENEGADE

PLASTIC SKID PLATES

Our Plastic Plates glide smoothly and silently over obstacles, offering great protection in rough terrain. Made of abrasion-resistant thermoformed High Molecular Weight Polyethylene (HMWPE). Lighter than aluminum.

Offer your Outlander & Renegade **THE FULL PROTECTION KIT** or **GET THEM INDIVIDUALLY**

INDIVIDUAL PLASTIC SKID PLATES

1 A-ARM PROTECTORS G2

- Protect CV joints and rubber boots.
- Include water and mud drainage holes.
- Thickness 6 mm.
- Can-Am logo.
- Sold in pairs.

Outlander and Outlander MAX, Outlander 6x6, Renegade (G2, G2S)
715002924

2 TRAILING ARM PROTECTORS G2

- Include water and mud drainage holes.
- Sold in pairs.
- Thickness 6 mm.

Outlander, Outlander 6x6 and Renegade (G2, G2S)
715002925

3 PLASTIC SKID PLATE G2

For G2 chassis.

Outlander	G2L
715003046	715002977
Outlander MAX	G2LMAX
715003047	715002978

PLASTIC SKID PLATE G1

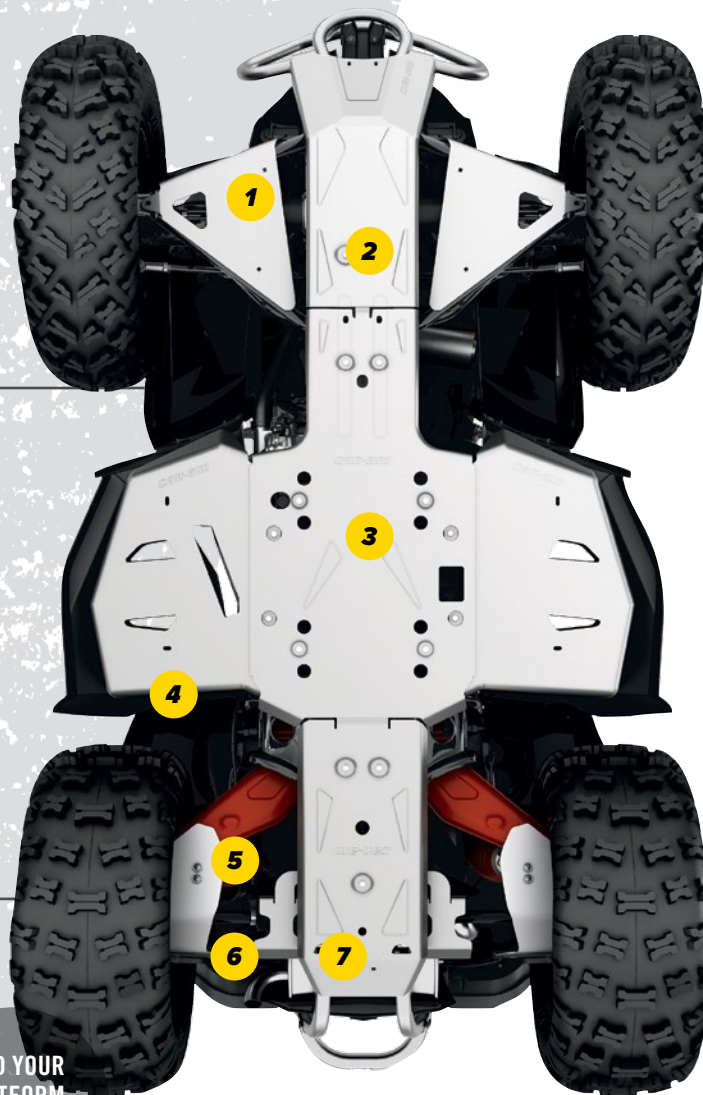
Bottom plastic 6.5 mm polyethen. Basically covers the entire underside, including all mounting kit. For G1 chassis.

Outlander
605353120
Outlander MAX
619400037

ALUMINUM SKID PLATES

Our Aluminum Plates are made with high strength 5052 H32 aluminum. A must-have for rugged terrain.

Offer your Renegade
THE FULL PROTECTION KIT
 or
GET THEM INDIVIDUALLY



FIND YOUR PLATFORM



G2S 2016 & PRIOR

G2S 2017 & UP

ALUMINUM SKID PLATE PROTECTION KIT

715002139

715004201

INDIVIDUAL ALUMINUM SKID PLATES

1 A-ARM PROTECTORS

- 1/8" (3 mm) thick lightweight and durable design.
- Add more protection to the CV joints and rubber boots.
- Drain holes to release water, mud and debris.
- Easy to install.
- Replace stock plastic protectors.
- Sold in pairs.

715001667

715001667

2 FRONT SKID PLATE

- 3/16" (4.5 mm) thick and die-formed for strength and durability.
- Recessed bolt holes.

715000925

715000925

3 CENTRAL SKID PLATE

- 3/16" (4.5 mm) thick for durability and strength.
- Drain holes to release water, mud and debris.
- Allows access to oil drain plug.
- Standard on Renegade X xc.
- Must be installed with Front Skid Plate.

715002078

715002078

4 FOOTWELL PROTECTOR PLATES

- 1/8" (3 mm) thick lightweight and durable design.
- Drain holes to release water, mud and debris.
- Use in conjunction with Central Skid Plate.
- Sold in pairs.

715001359

715001359

5 TRAILING ARM PROTECTORS

- 1/8" (3 mm) thick lightweight and durable design.
- Replace stock plastic protectors.
- Sold in pairs.

715001129

715003741

6 REAR DIFFERENTIAL PROTECTORS

- 1/8" (3 mm) thick lightweight and durable design.
- Replace stock plastic protector.

715000920

715000920

7 REAR SKID PLATE

- 3/16" (4.5 mm) thick for durability and strength.
- Must be installed with the central and front skid plates.

715002028

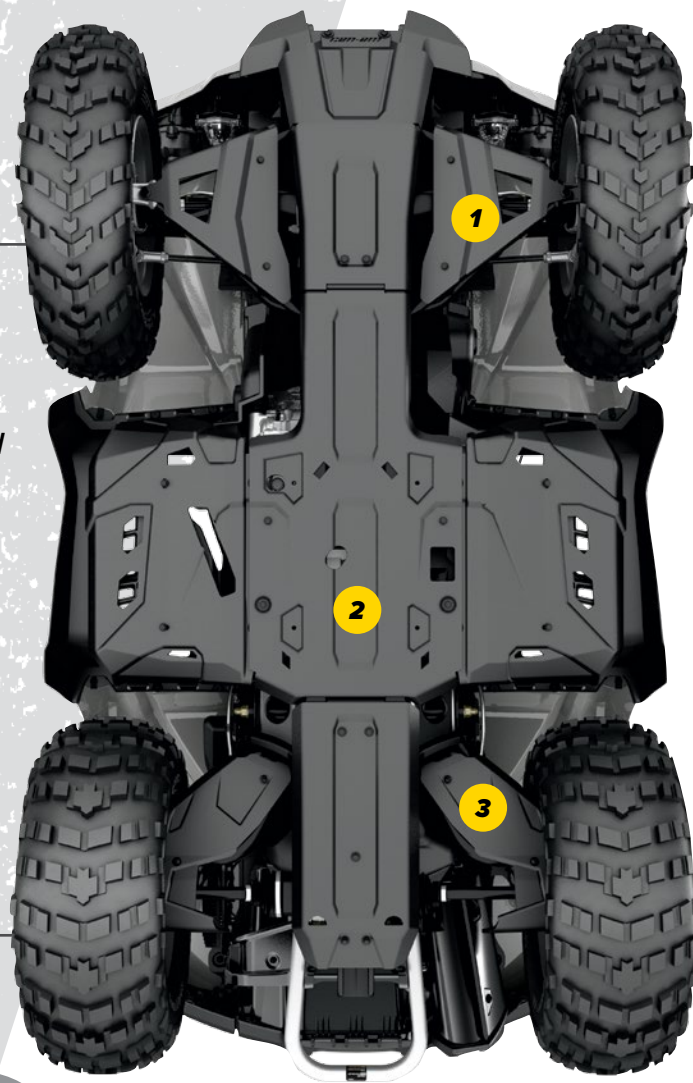
715002028

OUTLANDER RENEGADE

HMWPE SKID PLATES

Our Plastic Plates glide smoothly and silently over obstacles, offering great protection in rough terrain. Made of 1/4" (6 mm) thick abrasion-resistant thermoformed High Molecular Weight Polyethylene (HMWPE). Lighter than aluminum. Superior stress crack resistance. High impact strength.

Offer your Outlander & Renegade
THE FULL PROTECTION KIT
 or
GET THEM INDIVIDUALLY



FIND YOUR PLATFORM



	G2 2017 & UP	G2 2016 & PRIOR	G2 MAX 2017 & UP	G2 MAX 2016 & PRIOR	G2L	G2L MAX	G2S 2017 & UP
HMWPE SKID PLATE PROTECTION KIT	715004209	715004214	715004210	715004215	715004211	715004212	715004213
INDIVIDUAL HMWPE SKID PLATES							
1 A-ARM PROTECTORS • Protect CV joints and rubber boots. • Include water and mud drainage holes. • Sold in pairs.	715002924	715002924	715002924	715002924	715002924	715002924	715002924
2 UNDERBELLY PLATES • Include Front Skid Plate, Central Skid Plate, Footwell Protector Plates and Rear Skid Plate. • Allow access to oil drain plug. • Include water and mud drainage holes.	715002926	715002926	715002927	715002927	715002928	715002929	715002974
3 TRAILING ARM PROTECTORS • Include water and mud drainage holes. • Sold in pairs.	715003466	715002925	715003466	715002925	715003466	715003466	715003466
PLASTIC SKID PLATES							
FRONT AND CENTRAL PLASTIC SKID PLATES (Not illustrated) • Designed to protect frame and engine from rough terrain conditions. • Standard on Outlander L DPS® and Outlander L MAX DPS.					715002374 (STD only)		

CATCH THE VIDEO



CAN-AMOFFROAD.COM



KEEP YOUR VEHICLE & YOUR LIVESTOCK SAFE WITH FULL-PERIMETER PROTECTION. THINK OF IT AS RANCHING ARMOR.

OUTLANDER

COMPLETE RANCHER PROTECTION KIT

(Not illustrated)

Introducing a whole new level of surround protection for your ATV thanks to this Full Body Protection Kit.

Includes:

- Rancher Front Bumper (715003461)
- Rancher Rear Bumper (715003462)
- Body Side Protector (715003459)

Fits: G2, G2L (Not compliant with T-category vehicles)

715003463

- Requires Body Side Protector Extensions (715003460) for installation on MAX models.



RANCHER FRONT BUMPER

- The heavy-duty bumper designed to pull double duty: protect your ATV and anything it comes in contact with, while also enhancing the look of your ATV.
- Made tough and designed to deliver a rugged appearance, this bumper offers front protection for farmer, rancher and forestry applications.
- The low front end protection and plates allow you to use your ATV within cattle herds and guard the safety of both the vehicle and the animals.
- The flat front portion facilitates gently prodding cattle or pushing light objects, e.g. closing a fence.
- The full frontage coverage extends to provide an extra layer of defense to your headlights and radiator.
- Inside and outside anti-corrosion coating with durable powder coat finish.
- Not compatible with track systems, plows and front hitch.

Fits: G2, G2L (Not compliant with T-category vehicles)

715003461



RANCHER REAR BUMPER

- The heavy-duty bumper designed to pull double duty: protect your ATV and anything it comes in contact with, while also enhancing the look of your ATV.
- Made tough and designed to deliver a rugged appearance, this bumper offers rear protection for farmer, rancher and forestry applications.
- Ideal for using your ATV within cattle herds and guard the safety of both the vehicle and the animals.
- Coverage extends to provide an extra layer of defense to your tail lights.
- Inside and outside anti-corrosion coating with durable powder coat finish.
- Not compatible with track systems.

Fits: G2, G2L (Not compliant with T-category vehicles)

715003462



BODY SIDE PROTECTOR

- The heavy-duty fender guard designed to pull double duty: protect your ATV and also enhance the look of your ATV.
- Made tough and designed to deliver a rugged appearance, this fender guard offers full side protection for farmer, rancher and forestry applications.
- Built of durably bold 1.25" (3 cm) diameter steel-tube construction, with inside and outside anti-corrosion coating with durable powder coat finish.
- XT Front and Rear Bumpers or Rancher Front and Rear Bumpers are required for installation.

Fits: G2 with XT or Rancher Bumpers, G2L with Rancher Bumpers

- Requires Body Side Protector Extensions (715003460) for installation on MAX models.

715003459

Fits: G2L with XT Bumpers

715003614

BODY SIDE PROTECTOR EXTENSIONS

(Not illustrated)

- This specially designed extension for Body Side Protector (715003459 or 715003614) is made specifically to fit and seamlessly integrate the look of Outlander MAX models.

Fits: G2 MAX, G2L MAX

715003460

OUTLANDER



XT FRONT BUMPER

- Provides additional protection against the elements.
- Tough and durable, can be added on base Outlander model to convert vehicle into XT model.
- Large tube construction with textured black finish.
- Standard on XT model.

Fits: G2

715000947



XT FRONT BUMPER

- Large tube construction.
- Protects vehicle frame against obstacles.
- Winch compatible.

Fits: G2L

715001910



EXTREME FRONT BUMPER

- Ultra-sturdy build.
- Enhances front-vehicle protection.
- Compatible with XT Front Bumper.
- Fits the Apache 360 Track System (when side panels are removed).
- Not compatible with Front Hitch.
- Not compliant with T-category vehicles

Fits: G2

715001286



EXTREME FRONT BUMPER

- Ultra-sturdy build.
- Enhances front-vehicle protection.
- Compatible with XT Front Bumper.
- Fits the Apache 360 Track System (when side panels are removed)
- Not compliant with T-category vehicles.

Fits: G2L

715004279



XT REAR BUMPER

- Provides additional protection against the elements.
- Tough and durable, can be added on base Outlander model to convert vehicle into XT model.
- Large tube construction with textured black finish.
- Standard on XT model.

Fits: G2

715000948



XT REAR BUMPER

- Large tube construction.
- Protects vehicle frame against the obstacles.

Fits: G2L

715001911

XT FRONT COUPLING DEVICE

Fits:T3

705205025

- Needed for T3 models

RENEGADE

RENEGADE EXTREME FRONT BUMPER

- Enhanced vehicle front protection.
- Required as a mounting point for Radiator Relocator (715001929).

Fits: G2S

715002469

**ENHANCED
VEHICLE FRONT
PROTECTION.**



OUTLANDER

FENDER FLARE

- Kit designed to deliver extra protection from dirt and debris, therefore a must if you enjoy riding in the mud.
- Made of injected plastic that hugs your vehicle fenders perfectly.
- Gives vehicle added flair for that rugged cool look.
- Includes front and rear extensions and all mounting hardware.

Fits: G2 (except with 30" tires)

715001764

Fits: G2L (does not fit T3 models)

715001909

Fits: G2 (with 30" tires)

- Standard on G2 X mr 1000R.

715004250



FENDER FLARE EXTENSIONS

- Block terrain debris from kicking up onto you as you ride or damaging your vehicle thanks to these extra-large Fender Flare Extensions, which also include mud flaps for added protection from mud/snow, especially when riding with track kits.
- Made of High Molecular Weight Polyethylene (HMWPE) for advanced abrasion resistance.
- Include front and rear extensions.

Fits: G2

- Must be used with Fender Flare for G2 (715001764).

715003458

Fits: G2L

- Must be used with Fender Flare for G2L (715001909).

715003615



RENEGADE



FENDER FLARE

- Integrated extended Fender Flare for sporty look and full body protection from dirt and water.
- Includes front and rear extensions and all mounting hardware.

Fits: G2S (except X mr models)

715001681

**CATCH THE
VIDEO**



CAN-AMOFFROAD.COM

**IT'S A CARGO BOX.
IT'S AN AUDIO RECEIVER
& SPEAKER SYSTEM.
IT'S LinQ VERSATILITY
& CAN-AM INNOVATION.**

OUTLANDER | RENEGADE

LinQ
SYSTEM™

LinQ 11.5 GAL (43L) AUDIO CARGO BOX

- Delivers the best sound quality on the market to sweeten your ride courtesy of a built-in full range high efficiency amplifier.
- Mounts on/off easily to hold/carry cargo safely and securely.
- The Bluetooth enabled receiver and 6.5" speakers are smartly concealed and integrated in the cover.
- Automatic shut-off function protects your battery by turning the system off after 10 minutes of inactivity.
- Backlit control panel perfect for night riding.
- Water-resistant speakers.
- LinQ Base (715002350) is required for G2L.
- LinQ Luggage Rack (715001734) is required for G2S.

**Fits: G2 (front only for Outlander 6x6 and Outlander MAX 2013-2014), G2L, G2S
715003018**



OUTLANDER RENEGADE

HEATED HAND GRIPS & THROTTLE COMBO

Fits: **G2, G2L** (Wiring Cable (710004567) required for installation), **G2S**
715003250

For T3 models **MY18.5**
715004747



- 1** LED dimmer facilitates reading temperature settings.
- 2** 4 temperature settings with individual controls for thumb and grips. Returns to previous heat setting.
- 3** One-touch shutdown.

INDIVIDUAL THUMB & GRIP CONTROLS WITH 4 TEMPERATURE SETTINGS, ONE-TOUCH SHUTDOWN + EASY-TO-READ LED DISPLAY WITH DIMMER. ALL AT YOUR FINGERTIPS.

CYCLOPS 360° PANORAMIC HD VIDEO CAMERA

- Features a 220-degree wide-angle lens.
- Video resolutions up to 4K at 30 frames per second.
- Professional 16MP quality photos.
- Rugged, light and portable.
- Magnetic mount for vibration-free footage and mounting to any metal surface.
- Comes with 32GB Class 10 micro SD card.
- Waterproof case up to 164' (50m).
- Wi-Fi available to remotely control your camera from your smartphone or computer with the free CG360 App.
- 16 modes and effects, including driving mode, loop recording, time lapse and slow motion.
- Comes with 10 mounting accessories.
- Compatible with VR goggles.

9700020090



OUTLANDER

HEATED PASSENGER GRIPS & VISOR OUTLET

- Replace your stock passenger handles.
- Dual temperature switch integrated into seat arm for 3-zone heated handles and grips.
- Heated visor outlet integrated into seat arm.

Fits: **G2, G2L**
(MAX models only)

715001926

Fits: **G2 (2013-2014)**
(MAX models only)

715002116



HEATED VISOR OUTLET

- Strategically positioned on vehicle to maintain your agility.
- Optional visor outlet that delivers fog-free riding.
- Quick and easy installation.
- Sold individually.
- Heated Visor not included.

Fits: **G2, G2L**
715001246



WIRING CABLE

- Required for installation of Heated Hand Grips & Throttle Combo.

Fits: **G2L**
710004567



ENGINE HEATER

Outlander 500/570/650/800 (G1/G2)

605154278

Outlander 1000 (G2)

715002043

TRAILER CONNECTOR SOCKET KIT

(Not illustrated)

Fits: **G1**

619400077

G2

860200927

OUTLANDER RENEGADE



**BAJA DESIGN
ENGINEERS.
THE SCIENTISTS
OF LIGHTING.**

NEW BAJA DESIGNS HIGH BEAM KIT

- Thanks to their direct bolt-on and plug-and-play installation right into the original high beam location, upgrading from your stock high beam lights to these powerful Baja Designs Squadron Pro LED Lights becomes child's play.
- Each spot is equipped with 4 Cree LEDs producing 4,900 lumens at 40 watts.
- Driving/Combo light pattern for smooth blend of light for both near field applications and distance.
- Not EC-compliant. For off-road use only.

Fits: G2
Not EC compliant (for off-road use only)
715004284

FRONT BUMPER LIGHTS

- 2 x 900 lumens 10W LED Cree light kit.
- Long-range illumination up to 350' (107 m), drawing less than 1 amp per light.
- Include multi-position clamps that fit on various tubing sizes.
- For off-road use only
- Not EC compliant.



Fits: G2 (except X xc), G2L
715001741

AUXILIARY WINDSHIELD LIGHTING

- 2 premium LED spots for Deluxe Fairing for both increased output and directional lighting.
- 1,800 lumens.
- 2 10W LED Cree light kit.
- Long-range illumination up to 350' (107 m), drawing less than 1 amp per light.



Fits: Deluxe fairing
715003115

RAM LED SPOTLIGHT

- 540 lumens LED light (9 Watt) heavy-duty spotlight standard-equipped with 1" (2.5 cm) diameter rubber-coated double ball and socket system.
- For off-road use only.



710005423 • Black

CENTER CONSOLE DAY LIGHT

- Mountable on top end of center console.
- Enhances look of vehicle.

Fits: G2S (except X mr)
715000691



GARMIN[†] MONTANA[†] 680T GPS

- Rugged and waterproof, the Montana 680T is element-proof.
- 4-inch dual-orientation, sunlight-readable touchscreen and glove-friendly touchscreen display, to give you vivid colors and high-resolution images.
- 8-megapixel autofocus camera automatically geotags photos.
- Tracks both GPS and GLONASS satellites for improved positioning and typically faster fixes.
- Preloaded TOPO maps, plus 1-year BirdsEye Satellite Imagery subscription.
- 3-axis compass with barometric altimeter.
- Specific GPS cradle included (vehicle mounting kit required).
- EC compliant.
- Includes preloaded European recreation map.

715003456

GPS RAM[†] MOUNT FOR HANDLEBAR

- Convenient bracket for installing the Garmin Montana GPS (not included) onto your unit's handlebar.

Fits: G2, G2L, G2S
715001985



CTEK BRP 5.0 BATTERY CHARGER

CTEK, the manufacturer of the smartest battery chargers in the world, has produced a BRP specific charger for all BRP products. Charger is built to meet the demanding arctic conditions. Ask your dealer for more information.

Outlander - 860200997



BE READY FOR ANYTHING WITH THE RUGGED HEAVY-DUTY PULLING POWER OF A WINCH!

1 CHOOSE YOUR VEHICLE	2 CHOOSE YOUR WINCH <i>See page 35 for more information.</i>	3 INSTALLATION REQUIRES	
		HARNESS	MOUNTING PLATE
G2	Can-Am Terra Winches by Superwinch or Warn Provantage Winches	NA	NA
G2L	Can-Am Terra Winches by Superwinch or Warn Provantage Winches	715002453 (For Warn winches only)	NA
G2S	Warn Provantage Winches	NA	715000927

Some products shown may not be available or homologated in your country. Contact your BRP dealer for local details.

OUTLANDER

CAN-AM TERRA BY SUPERWINCH[†]

- Heavy-duty 4-way roller fairlead.
- Ergonomic clutch handle.
- Rugged all-steel gears and bushings, provides more torque and longer life.
- Automatic 100% load-holding brake.

- Sealed solenoid for all weather protection.
- Corded 10 ft. (3 m) weather sealed hand-held remote.
- Weather sealed handlebar mounted switch.
- EC Compliant.



CAN-AM TERRA 25 WINCH BY SUPERWINCH

- Pulling strength capability of 2,500 lb (1,134 kg).
- 50 ft. of 3/16" (15.2 m of 4.8 mm) wire steel cable.

Fits: G2, G2L
715003475



CAN-AM TERRA 35 WINCH BY SUPERWINCH

- Pulling strength capability of 3,500 lb (1,588 kg).
- 50 ft. of 13/64" (15.2 m of 5.2 mm) wire steel cable.

Fits: G2, G2L
715003476

REAR WINCH KIT

Complete rear winch kit including mounting kit.

G1 Outlander models G2 Outlander models
619400039 860200897

WINCH REAR
INSTALLATION KIT
FOR G1

619959037

LICENCE BRACKET, REAR WINCH KIT T3

T3 400
619590121

G2 models
715003080

Used with rear winch kit.

OUTLANDER RENEGADE

WARN[†] PROVANTAGE

- Patented roller disc brake for outstanding control while winching.
- Ergonomic clutch handle.
- Three-stage planetary gear train for smooth, efficient operation.

- All-metal gear housing and gears.
- Fully sealed motor and drive train to keep the elements out.
- Corded remote and mini-rocker control switch with integrated socket.

- Limited lifetime warranty for mechanical components and 3-year warranty for electrical components.
- Winch mounting plate (715000927) is required for G2S.
- Winch wire harness (715002453) is required for G2L.
- EC Compliant.



WARN PROVANTAGE 2500-S WINCH

- Double powder coated hawse fairlead.
- Pulling strength capability of 2,500 lb (1,134 kg).
- 50 ft. of 3/16" (15.2 m of 4.8 mm) synthetic rope.

Fits: G2, G2L, G2S
715003472



WARN PROVANTAGE 3000 WINCH

- Roller fairlead.
- Pulling strength capability of 3,000 lb (1,361 kg).
- 50 ft. of 3/16" (15.2 m of 4.8 mm) wire steel cable.

Fits: G2, G2L, G2S
715003474



WARN PROVANTAGE 3500-S WINCH

- Double powder coated hawse fairlead.
- Pulling strength capability of 3,500 lb (1,588 kg).
- 50 ft. of 3/16" (15.2 m of 4.8 mm) synthetic rope.

Fits: G2, G2L, G2S
715003473

OUTLANDER RENEGADE



WARN HAWSE FAIRLEAD

- Double powder coated construction.
- Required to use the Synthetic Winch Cable (715004254) on Warn winches.
- To be used with synthetic winch cables only.

Fits: Warn winches
715004255



WINCH MOUNTING PLATE

- Adds functionality to your Renegade.
- Fits Can-Am winches by Warn.

Fits: G2S
715000927

WIRELESS REMOTE CONTROL

- The system is quick and easy to install, thanks to a wiring harness with an integrated antenna and all necessary mounting hardware.
- The system allows you to operate your winch from anywhere within a 50' (15.2 m) radius, increasing your recovery options.
- All components are weatherproof.

Fits: Warn winches
715002542



WIRED REMOTE CONTROL

- This kit allows winch owners to add the hand-held remote to their winch.
- Works in conjunction with the mini-rocker switch.
- EC compliant.

Fits: For ATVs with handlebar winch remote socket.

710002270

Fits: ATVs without the winch remote socket on the handlebar

- Side panel Remote socket (715003651) is required.
- EC compliant.

710001002



Fits: Superwinch winches
710004887

WARN REMOTE SOCKET

- (Not illustrated)
- Winch remote socket, located on side panel is required for wired remote control.

715003651

WINCH WIRE HARNESS

- (Not illustrated)
- Required plug-and-go wiring to install Warn winch only.
- Not required for Can-Am Terra winch.

Fits: G2L
715002453

HARDWARE ADAPTER KIT

- (Not illustrated)
- Required to install Warn Winch Kit (715002500, 715002561, 715002499) on 2016 and up models.
- Required to install Can-Am Terra 25 Winch (715002167) and Can-Am Terra 35 Winch (715002057) on G2L 2017 and up models.

715003477

WINCH ACCESSORIES KIT

- Get the most out of your winch.
- Double your pulling power, change your pulling direction and keep your winch in proper working order.
- Includes tree straps, snatch block, shackle and winching gloves.

715002409



ROLLER FAIRLEAD

- Features top, bottom and side rollers for less cable wear and smoother operation from any direction for easier winching.

715000011 • Warn
705204571 • Superwinch



HOOK WITH SAFETY LATCH & STRAP KIT

- Heavy-duty winch-rope hook with stainless steel snap.
- Includes a nylon safety strap.

715003523



REPLACEMENT WIRE ROPE

- Play it safe, always carry a replacement wire rope.
- 3,500 lb (1,588 kg) pulling strength.

Fits: ATV SuperWinch
• 50 ft. of 7/32" (15.2 m of 5.5 mm) wire rope.

705009321

Fits: ATV Warn winches
• 50 ft. (15.2 m) aircraft grade steel wire.
• 3/16" (4.8 mm) diameter.

715000047



SYNTHETIC WINCH CABLE

- Easier to manipulate than steel cable.
- Replaces the original cable on any factory installed Warn winch or sold as an accessory by BRP.
- Kit includes synthetic rope and rock guard sleeve.
- Always use with new hawse fairlead (715004255).

• 50 ft. (15.2 m).
• 3,500 lb (1,588 kg) pulling strength.

715004254

MULTITRAILER 37



Boggie wheels updated to be more silent than before and now even with grease nipples in the boggie. Product developed for hard use. 100% galvanized.
Specifications: 12 mm polywood base, strong stand, movable attachment points (4 pc), tipping bed, removable sides and 4 pc timber holder, underside of the boggie and frame designed to climb over stones and stubs (no sharp edges).

Bed length: 182 cm
Bed width: 66 cm bottom / 95 cm top
Bed height: 60 cm
Weight: 200 kg with timber holders and sides
619590024

Timber sticks (2 pcs)
619590025

Timber locking sprint
619600007

Timber wall
619590026

Spare wheel + rim (Duro)
619590119

Spare wheel + rim (Deestone)
Standard from 7/2016
619590398

HITCHES

OUTLANDER



FRONT RECEIVER HITCH

- Front receiver hitch for Outlander with or without a winch.
- This hitch offers 1,300 lb (590 kg) of towing capacity.
- Allows you to maneuver your trailer easily in tight, confined areas.
- Hitch bar sold separately.
- Not compatible with Extreme Front Bumper and Rancher Bumper.

Fits: G2
715000921

OUTLANDER RENEGADE



FRONT & REAR HITCH DRAWBAR

- Standard on 2" (5 cm) receiver hitch.
- It offers 1,300 lb (590 kg) of towing capacity.
- Hitch ball not included.

Fits: G2, G2L, G2S
715000972

EUROPEAN VERSION
• Drawbar with 2" (50 mm) hitch ball.
715001473
705206264 (T Homologated)



RUBBER RECEIVER PLUG

- Rubber cap for 2" (5 cm) hitch receiver.

705204503

REAR HITCH

- E-coat finish.
- Fixed hitch ball mounting bracket.
- Provides fixed mounting point for trailer ball to provide vehicle with towing capabilities.
- This hitch offers 1,300 lb (590 kg) of towing capacity.
- Hitch ball not included.

Fits: G2, G2L, G2S
715001925



REAR RECEIVER HITCH

- E-coat finish.
- Does not affect ground clearance.
- Trailer ball not included.
- This hitch offers 1,300 lb (590 kg) of towing capacity.

Fits: G2L, G2S
715001329



**WE'LL MAKE YOU
READY FOR MUD.**



OUTLANDER

OUTLANDER RADIATOR RELOCATOR KIT

- Relocates radiator to top mount position.
- Prevents cooling performance loss in muddy conditions.
- Uses existing radiator.
- Includes support, hardware and hoses.
- Engineered for easy cooling system bleeding and maintenance.
- Radiator not included.

Fits: G2, G2L
715001930 • Black



**RELOCATE YOUR RADIATOR
UP & AWAY FROM THE MUD!
YOU'LL LEAVE OVERHEATING
BEHIND AND RIDE COOL!**

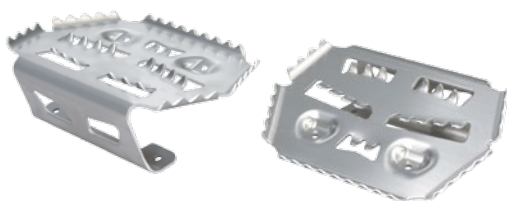
OUTLANDER SNORKEL KIT

- Comprehensive kit.
- Extended air intakes and CVT exhaust.
- CVT Outlet integrates into pod cover.
- Ideal for muddy conditions.
- Must be installed on a vehicle without XT handlebar protector kit.
- For 6x6, appropriate gauge support is required for best fit and finish.
- Not compatible with windshields.

Fits: G2, G2L
715002392
Fits: G2 (2012-2014 only)
715001730
Fits: G2 (X mr models only), G2L
(X mr models only)
• Raised horn only.
• Provides higher intake.
• For best fit and finish, appropriate gauge support is required.
715002518



**TRANSFORM YOUR VEHICLE INTO THE ULTIMATE
CREEK CONQUERING MUD-RIDING MACHINE!**



X MR TRACTION PLATES

- Provide extra foot grip for driver when riding in extreme mud conditions.
- Help driver to maintain ideal riding position to maximize vehicle traction.
- Made of aluminum.
- Not meant for a passenger.

Fits: G2, G2L (MAX models only)

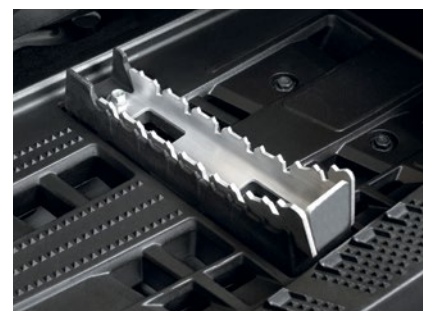
715001752 • Aluminum

FOOTPEG KIT

- Provides maximum integrated grip and more stability during vigorous riding.
- Kick-up end generates added grip during hard cornering.
- Made of aluminum.
- Sold in pairs.

Fits: G2, G2L

715001131



RENEGADE



RENEGADE SNORKEL KIT

- Comprehensive kit.
- Extended air intakes and CVT exhaust.
- CVT Outlet integrates into pod cover.
- Ideal for muddy conditions.

Fits: G2S

715001928

ADAPTOR KIT

(Not illustrated)

- Necessary to install the G2S Snorkel Kit (715001928) on 2012 to 2014 models.

Fits: G2S (for 2012-2014 models only)

715003122



RENEGADE RADIATOR RELOCATOR KIT

- Relocates radiator to top mount position.
- Prevents cooling performance loss in muddy conditions.
- Uses existing radiator.
- Includes support, hardware and hoses.

Fits: G2S

715001929

- Engineered for easy cooling system bleeding and maintenance.
- Radiator not included.
- Renegade Extreme Front Bumper (715002469) required for installation (except X mr).

OUTLANDER RENEGADE

MUD STRAP

- Convenient sturdy grab-handle.
- Lets drivers redistribute their weight for improved traction in demanding conditions.
- Not compatible with XT Handelbar Protector Kit (703100352).

Fits: G2, G2L, G2S

715003053

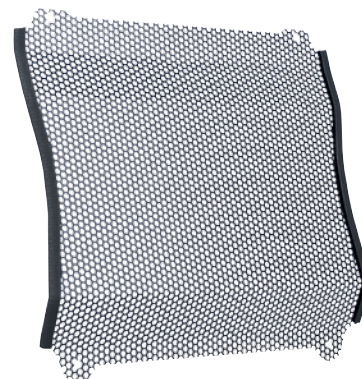


RADIATOR PROTECTOR

- Metal shield which mounts over radiator face, providing protection from stones and branches.

Fits: G2, G2S (except G2S with 500 engine)

715001744





CATCH THE VIDEO



CAN-AMOFFROAD.COM



YOSHIMURA GIVES YOU THE EDGE WITH MORE PERFORMANCE & LESS WEIGHT.

OUTLANDER



YOSHIMURA SLIP-ON EXHAUST

- Made from 304-grade stainless steel.
- Better sounding, better looking and lighter than stock muffler.
- USDF/USDA approved spark arrester.
- NON EPA compliant (for racing application only).
- Not EC compliant.
- Fuel injection system tuning not required.

Fits: G2 (except 6x6 models)

715001738

RENEGADE



YOSHIMURA SLIP-ON EXHAUST

- Made from 304-grade stainless steel.
- Better sounding, better looking and lighter than stock muffler.
- USDF/USDA approved spark arrester.
- NON EPA compliant (for racing application only).
- Not EC compliant.
- Fuel injection system tuning not required.

Fits: G2S (except X mr models)

715001739

OUTLANDER RENEGADE

FOX SHOCKS

- Engineered for the more aggressive riders.
- Offers increased bump absorption and better roll control.
- Offers a slightly firmer ride than standard kits but remains very useable for all-around use.
- Kit includes 4 shocks and springs.
- Rebuildable.
- Threaded preload adjusters.

Fits: G2 (except X mr, XT-P, Limited & 6x6), G2 X mr 650 & G2S (base model with 500 & 570 only)

715001471

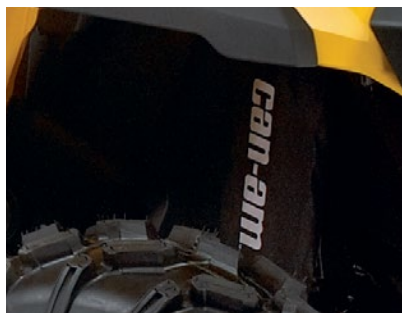


FOX PERFORMANCE SHOCKS 1.5 PODIUM X RC2 HPG

- High-performance front and rear shocks.
- Allow handling to readily adapt to terrain and riding style.
- Easy-adjust dual-speed compression, rebound and preload settings.
- Standard on G2S X xc.

Fits: G2 (except X mr, Limited & 6x6), G2 X mr 650 & G2S (base model & X mr 570 only)

715003201



FRONT SHOCK COVERS

- Feature ventilation holes.
- Offer added protection in rough terrain and weather conditions.
- Sold in pairs.

Fits: G2, G2L, G2S

715500301

HEAVY-DUTY SPRINGS

- Heavy-duty springs provide enhanced stiffness.
- Perfect for snow clearing and hauling heavy loads.
- Improves handling and helps prevent accidental overturns.
- Sold in pairs.
- Standard on Outlander Pro and Mossy Oak models

Fits: G2

FRONT

G2 (base model, DPS, XT, X mr with 650 engine only & Limited), G2S (base model with 500 & 570 engines only)

715003199

REAR

G2 (base model, DPS, XT & X mr with 650 engine only), G2S (base model with 500 & 570 engines only)

715003200



Front



Rear

EXTREME HEAVY DUTY REAR SPRING SET FOR OUTLANDER G2

for example to Forest Pro log trailer usage. (Not illustrated).

715001998

FOAM AIR FILTER BY TWINAIR†

- Maximizes performance by increasing air flow throughout RPM range.
- Maintenance-friendly, i.e. just wash, re-oil and re-use after riding in severely dusty/muddy environments.

Fits: G2, G2S

715001333





TRAILERING COVERS

- Heavy-duty canvas made of UV-resistant solution-dyed polyester.
- Inner soft liner protects windshield and colored panels from abrasion.
- All high abrasion areas are reinforced with a double canvas layer.
- Opening for fuel cap access.
- Weather-resistant trailable cover protects your vehicle during transportation.
- Quick and easy installation.
- Designed to perfectly fit your vehicle with or without Can-Am accessories.

STORAGE COVERS

- Weather-resistant storage cover.
- For vehicle storage only.
- UV-resistant solution-dyed polyester construction.
- Quick and easy installation.
- Designed to perfectly fit your vehicle with or without Can-Am accessories.

Fits: G2 (except MAX models)

715001737

Fits: G2 (MAX models only)

715001736

Fits: G2L (except MAX models)

715002026

Fits: G2L (MAX models only)

715002025

Fits: G2S (except X mr models)

715000683

Fits: G2 Xmr (except 1000R), G2L Xmr, G2S, G2S Xmr

715001720

Fits: G2 MAX, G2L MAX, G2 Xmr 1000

715001668

Fits: G2L (except MAX models)

715001916

Fits: G2L (except MAX models)

715001597 • Mossy Oak Break-Up Country Camo

Fits: G2L (MAX models only)

715001735 • Mossy Oak Break-Up Country Camo



DECAL

• 6" x 12 3/4" (15 cm x 32 cm)

704901483

LICENSE PLATE BRACKET

- Provides specific area to install license plate.
- Mounts to rear of vehicle.

Fits: G2L

715002498

Fits: G2S

715001401



LOCKABLE GAS TANK CAP

- Protects your fuel.
- Meets EPA requirements.

Fits: G2, G2L, G2S

860200387 • Black

619590085

(for Scandinavia)



CUP HOLDER

- Mounts easily to handlebars or racks.

715000121

RATCHET TIE-DOWNS

- 400 lb (181 kg) safe working load.
- 1" x 10' (2.5 cm x 3 m) strap with Sea-Doo, Ski-Doo and Can-Am logos.
- Deluxe ratchet with rubber handle.
- Coated S hooks.
- Pack of 2.

860200447 • Black/Grey



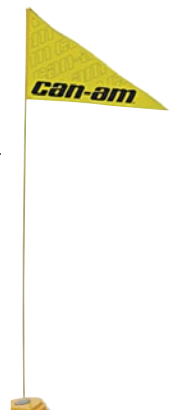
FLAG

- Make sure everyone knows what you're riding.
- Perfect for the dunes and new riders.
- 8-foot (2.4 m) length.
- Includes flag mount (715000127).

715000277 • Yellow

FLAG MOUNT

715000127



— GO OFF THE
BEATEN PATH

— CLIMB
HIGHER

— RIDE IN
DEEP SNOW

WITH THE **NEW** APACHE BACKCOUNTRY TRACK SYSTEM.

CATCH THE
VIDEO

CAN-AMOFFROAD.COM

**THE PERFECT FUSION
OF SKI-DOO SNOWMOBILE
& APACHE TRACK
TECHNOLOGY. DELIVERS
BETTER DEEP-SNOW
PERFORMANCE THAN ANY
OTHER ATV TRACK SYSTEM.**



APACHE TRACK SYSTEMS

Highly engineered track system provides ultimate traction in deep snow for your Can-Am vehicle.

WINTER TRACKS

Can-Am's new Apache Backcountry Track System is the perfect fusion of BRP's renowned snowmobile and innovative Apache 360 Track System technologies. It delivers the highest ground clearance, the most flotation, and the best deep-snow performance of any ATV track kit on the market today. Period. An efficient frame and rail design ensures weight is spread evenly on snow so you always enjoy higher traction, remarkable acceleration, turning, braking and side-hilling. And it's the only kit available with a 13.5" X 96" (34 cm x 244 cm) front track / 14" X 138" (36 cm x 351 cm) rear track, which adds up to the largest contact patch anywhere.

CLIMB HIGHER, RIDE IN DEEPER SNOW AND GO OFF THE BEATEN PATH.



NEW APACHE BACKCOUNTRY TRACK SYSTEM

- Designed to deliver the best flotation level and deep-snow performance on the market.
- Contact patch is 23% bigger than the Apache 360 LT.
- Impressive ground clearance of 20.3" (51.6 cm), keeps the vehicle out of deep snow.
- Aggressive track design with 2" (5 cm) lug height for maximum traction on snow.
- Apache Backcountry Mounting Kit is required.
- For winter use only.
- EC Compliant.

Fits: G2 (except 6x6), G2S

715003042

NEW APACHE BACKCOUNTRY MOUNTING KIT

(Not illustrated)

- Simple system that reduces installation time.
- Includes DPS Module.
- Required for installation of the Apache Backcountry Track System.

Fits: G2 (except 6x6), G2S

715003043



IDLER WHEEL KIT

- Reduces drag and rolling resistance.
- Includes 2 wheels, brackets and hardware.
- Add up to 2 kits per rear track.
- Can extend slider life in hardened snow conditions.

Fits: Apache Backcountry Track System, rear tracks only

860201230 • 141 mm



SLIDERS WITH VESPEL[†] INSERTS

- Use DuPont Vespel inserts for less friction.
- Longer life.
- Can be cut to desired length.
- 8 needed per vehicle.
- Sold individually.

Fits: Apache Backcountry Track System

503194815 • Black

• Heavy-duty components ensure reliability and the design offers excellent acceleration, turning, braking and side-hilling performance.

• The DPS⁺ module, included in the mounting kits, optimizes your Dynamic Power Steering (DPS) performance by maximizing steering agility at lower speeds while providing firmer steering at cruising speeds. It also provides a speed correction factor for the speedometer.

YEAR ROUND TRACKS

The Apache 360 and 360 LT Track Systems offer a unique adjustable contact patch engineered to take on the toughest conditions, year round. Their built-in versatility means you can optimize your attack angle in rough terrain, or dial it down for enhanced deep-snow flotation – it's that easy. They're great in muddier, softer spring thaw conditions so you can work or play wherever and whenever you want. Their superior ground adhesion makes them a favorite for navigating swamps and bogs.



APACHE 360 LT TRACK SYSTEM

- Multifunctional tracks designed to support heavy loads and to fit on most Can-Am off-road vehicles.
- Extra contact patch adjustment for better performance over rough terrain.
- Contact patch is 7 to 9% bigger than the Apache 360's.
- Average ground clearance of 17.3" (44 cm).
- 1" (2.5 cm) lugs in the front and 1.25" (3.2 cm) in the back.
- Apache 360 Mounting Kit and Apache 360 LT ATV Adaptor are required.
- EC Compliant.

Fits: G2 (except 6x6 models), G2S

715003064

APACHE 360 TRACK SYSTEM

- Multifunctional tracks perfect for any Can-Am ATV.
- 1" (2.5 cm) lugs in the front and 1.25" (3.2 cm) in the back.
- Average ground clearance of 16" (41 cm).
- Apache 360 Mounting Kit is required.
- EC Compliant.

Fits: G2 (except 6x6 models), G2L, G2S

715001981



Unique adjustable contact patch system to tackle the toughest year-round conditions.



Easy installation and quick conversion from tires to tracks.



Rubber over molded heavy-duty double bearing wheels and offset wheel spacing reduce friction and vibration while ensuring reliability.

APACHE 360 MOUNTING KIT

(Not illustrated)

- Simple system that reduces installation time.
- Includes DPS Module.
- Requires Apache 360 LT ATV Adaptor (715003063) for installation of the Apache 360 LT Track System.

Fits: G2 (except 6x6 models),

G2L, G2S

715002388

APACHE 360 LT ATV ADAPTOR

(Not illustrated)

- Required to install an Apache 360 LT Track System (715003064).
- Apache 360 Mounting Kit (715002388) also required.

Fits: G2 (except 6x6 models),

G2S

715003063

DPS MODULE

(Not illustrated)

- Calibrates speedometer and DPS support for Apache and Backcountry Track Kits.
- Not for T-category vehicles

Fits: G2L (except base models), G2 (except base models), G2S

715001202

AIR INTAKE PRE-FILTER

- Adds extra protection for your engine in harsh riding conditions.
- Filter blocks particles larger than 0.005".
- A pre-filter is necessary to maintain the vehicle warranty when an Apache 360 Track System or an Apache 360 LT Track System is installed.

Fits: G2, G2L, G2S

715000291



46 SNOWBLOWER

WINTER PRO V2

With the Winter Pro snowblower you can make all the houses winter chores fast and easy. Winter Pro is designed and built for the Scandinavian conditions and it has several innovative features, which will make your life easier. Easy Connect Pro- connecting system makes it easy to attach your ATV on the snowblower. All you need is a trailer hitch on your ATV. Electric start and a joystick to steer the chute, dual stage auger and working light (Sold as an accessory) makes it to a professional level tool for the winter time. Scraper bar height is easily adjustable with the help of the skid shoes. Scraper bar is attached to a boxed steel construction, which makes the snowblower very rigid. Engine is high quality Honda V2 with 24hp. Engine is produced and designed to withstand the rough conditions of the Nordic countries.



Winter Pro V2
619590291

WINTER PRO gas tank kit
619590126

WINTER PRO head light kit
619590130

Winter Pro oil filter
619590335
For Honda-motors. (Not illustrated.)

WINTER PRO widening kit
619590127

WINTER PRO subframe extension
619590128

WINTER PRO DRIFT cutter kit
619590124

Flexel tyre with rim, unbreakable
619590192
(Not illustrated.)

SHEAR BOLTS (1 pac/10 pcs
For auger For fan
619590146 619590148



PLOWS

PLOW KITS

OUTLANDER

TURN YOUR VEHICLE INTO A SNOW CONQUEROR!

60" (152 CM) ALPINE FLEX PLOW KIT

Fits: G2, G2L
715003149

KIT INCLUDES:

- 60" (152 cm) Alpine Flex Plow
715001181 · Black
- Alpine Flex Push Frame with Quick-Attach System
715001847
- Plow Mounting Kit
715001411



60" (152 CM) ALPINE SUPER-DUTY STRAIGHT PLOW KIT

Fits: G2, G2L
715003148

KIT INCLUDES:

- 60" (152 cm) Alpine Super-Duty Straight Plow
715000648 · Yellow
- Alpine Super-Duty Push Frame with Quick-Attach System
715001182
- Plow Mounting Kit
715001411



OUTLANDER

RENEGADE

54" (137 CM) ALPINE SUPER-DUTY STRAIGHT PLOW KIT

Fits: G2, G2L, G2S
715003147

KIT INCLUDES:

- 54" (137 cm) Alpine Super-Duty Straight Plow
715000208 · Black
- Alpine Super-Duty Push Frame
715001064
- Plow Mounting Kit
715002858



ALPINE FLEX PLOWS ⁴⁷



**ULTRA-FLEXIBLE
UHMWPE CONSTRUCTION
DELIVERS THE HIGHEST
IMPACT-STRENGTH
RATING OF ANY
THERMOPLASTIC PLOW
ON THE MARKET!**

OUTLANDER RENEGADE

PLOWS

ALPINE FLEX PLOW 54" (137 CM) & 60" (152 CM)

- Clears 50" (127 cm) or 54" (137 cm) when plow is angled.
- Ideal for clearing narrower areas, like sidewalks.
- Plow made of flexible UHMWPE, which delivers the highest impact strength of any thermoplastic presently made.
- Enormous flex action prevents damaging your plow when accidental impact happens.
- Impact absorption properties return plow to its original shape.
- Rearward release action practically eliminates jolts from being transferred to the driver or unit.
- Attaches and detaches effortlessly thanks to a fast and easy mounting system.
- Blade-turning mechanism mounted high to eliminate having to bend down to change or adjust blade's angle.
- High pivot point keeps plow on pavement.
- Compatible with all Alpine Flex Plow accessories to further enhance plow versatility.

Fits: G2, G2L, G2S

54" (137 cm)

715001677


60" (152 cm)

715001181



60" (152 cm)

BUILD YOUR CUSTOM ALPINE FLEX PLOW SYSTEM IN 4 EASY STEPS

1 FIND YOUR PLATFORM	2 MATCH THE PUSH FRAME	3 MATCH THE MOUNTING KIT	4 CHOOSE THE PLOW WIDTH	ADD 
G2, G2L	715001847	715001411	60" (152 cm) Alpine Flex Plow 715001181	Add Alpine Flex Push Frame Extension (715001389) if using Alpine Flex UHMW Thermoplastic Plow with Apache 360, 360 LT and Backcountry Track System
G2S	715001848		OR 54" (137 cm) Alpine Flex Plow 715001677	

PUSH FRAME

ALPINE FLEX PUSH FRAME WITH QUICK-ATTACH SYSTEM

- Includes cable saver limit switch and plow roller fairlead.
- Refer to the chart on page 50 for the fitting.

715001848

715001847



ALPINE FLEX PUSH FRAME EXTENSION

- Bolt-on push frame extension for use with Apache 360, 360 LT and Backcountry Track System.
- Does not alter plow functionality.
- Fits Alpine Flex Push Frames (715001847 and 715001848).

Fits: Alpine Flex Plows

715001389



MOUNTING KIT

PLOW MOUNTING KIT

(Not illustrated)

- Required to install Alpine Super-Duty Push Frames with Quick-Attach System (715001182, 715001474) and Alpine Flex Push Frames (715001847, 715001848).
- Mounting plate precision-designed to stay on year round without compromising ground clearance.

715001411

- Fits with or without Can-Am Skid Plates.
- Refer to the chart on page 50 for the fitting.

ALPINE FLEX PLOW ACCESSORIES

ALPINE FLEX PLOW EDGE MARKERS

- For a more accurate view of the width of your plow so you avoid damaging your curb, your car or your house.

Fits: Fit Alpine Flex Plows

715001388

ALPINE FLEX 8" (20 CM) PLOW EXTENSIONS

- These conveniently extend your Alpine Flex Plow.

Fits: Fit Alpine Flex Plows

715001385

ALPINE FLEX DRIFT CUTTER

- Keeps snow securely in the plow.
- Fits on either left or right side.
- Sold individually.
- Requires 8" (20 cm) Alpine Flex Extensions.

Fits: Alpine Flex Plows

715001386



ALPINE FLEX WEAR BLADE (STEEL)

- Long lasting wear blade that provides a sharper cut than the stock wear blade.
- Replaces stock wear blade.

Fits: Alpine Flex Plow
54" (137 cm)

715001704

Fits: Alpine Flex Plow
60" (152 cm)

715001476

- Stock replacement blade that is versatile for general plowing.

Fits: Alpine Flex Plow
54" (137 cm)

705203199

Fits: Alpine Flex Plow
60" (152 cm)

705202835

ALPINE FLEX WEAR BLADE (PLASTIC)

- Flexible UHMWPE plastic construction won't scratch your driveway.
- Replaces stock wear blade.

Fits: Alpine Flex Plow 54" (137 cm)

715001703

Fits: Alpine Flex Plow 60" (152 cm)

715001475

ALPINE FLEX PLOW RUBBER FLAP

(Not illustrated)

- Keeps snow away from the driver.
- Minimizes snow flowing over plow.
- Increases snow rolling effect.

Fits: Alpine Flex Plow 60" (152 cm)

715001387

Fits: Alpine Flex Plow 54" (137 cm)

715001767

ALPINE SUPER-DUTY STEEL PLOWS ⁴⁹



**BLADE DESIGN
OPTIMIZED FOR
HIGHEST SNOW/DIRT
ROLL-OFF
AT ALL ANGLES.**

OUTLANDER RENEGADE

PLOWS

ALPINE SUPER-DUTY STRAIGHT PLOW

- Super-duty plow blades made from 12-gauge steel.
- Replaceable wear blades.
- Blades swivel left or right, 5 positions.
- Large pin designed for easy blade rotation to eliminate dirt and snow buildup at pivot point.
- Blade design provides best snow/dirt roll-off at any angle.
- Yellow-colored version Can-Am branded.

Fits: 62, 62L, 62S

54" (137 cm)

- When angled, clears 48" (123 cm) path.

715000208 • Black

715000647 • Yellow

60" (152 cm)

- When angled, clears 53½" (136 cm) path.

715000209 • Black

715000648 • Yellow



54" (137 cm)

ALPINE SUPER-DUTY ONE WAY STATE PLOW

- One-way "winged" state plow designed to throw snow higher.
- Wing end of plow measures 25" (63 cm) high and tapers down to 16" (41 cm).
- Rubber flap designed to keep snow away from driver.
- Yellow-colored version Can-Am branded.

Fits: 62, 62L, 62S

60" (152 cm)

715000649 • Yellow

715000207 • Black

66" (168 cm)


715000650 • Yellow



60" (152 cm)

66" (168 cm)

BUILD YOUR CUSTOM ALPINE SUPER-DUTY STEEL PLOW IN 4 EASY STEPS

1 FIND YOUR PLATFORM	2 MATCH THE PUSH FRAME	3 MATCH THE MOUNTING KIT	4 CHOOSE THE PLOW WIDTH	+ ADD 
G2, G2L	715001064 + 715002858 OR 715001182 + 715001411		66" (168 cm) Alpine Super-Duty One Way State Plow 715000650 · Yellow OR 60" (152 cm) Alpine Super-Duty One Way State Plow 715000649 · Yellow 715000207 · Black OR 60" (152 cm) Alpine Super-Duty Straight Plow 715000648 · Yellow 715000209 · Black OR 54" (137 cm) Alpine Super-Duty Straight Plow 715000647 · Yellow 715000208 · Black	Add Alpine Super-Duty Push Frame Extension (703500603) if using Alpine Super-Duty Steel Plow with Apache 360 and Backcountry Track System.
G2S	715001064 + 715002858 OR 715001474 + 715001411			

PUSH FRAME

ALPINE SUPER-DUTY PUSH FRAME WITH QUICK-ATTACH SYSTEM

- Tubes withstand roughest use.
- Mid-mount carriage provides up to 11½" (29 cm) lift.
- Fits all steel blade styles.
- Improved auto aligning quick-attach system, easy foot lever release pedal, cable saver limit switch preventing cable breakage by automatically stopping the winch.
- Fits on Plow Mounting Kit (715001411 & 715002858) depending on your vehicle platform.
- Refer to the chart above for the fitting.

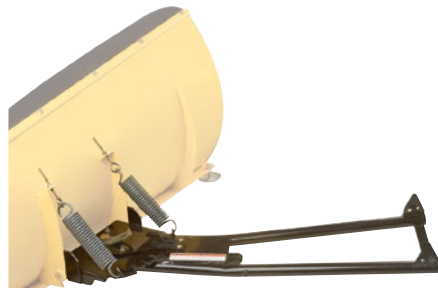
715001182 - Includes plow roller fairlead
715001474



ALPINE SUPER-DUTY PUSH FRAME

- Super-duty push tubes withstand the roughest use.
- Mid-mount carriage provides up to 11½" (29 cm) of lift.
- Fits all steel blade styles.
- Quick-attach not included.
- Refer to the chart above for the fitting.

715001064



MOUNTING KIT

PLOW MOUNTING KIT

- (Not illustrated)
- Required to install Alpine Super-Duty Push Frames with Quick-Attach System (715001182, 715001474) and Alpine Flex Push Frames (715001847 and 715001848).
 - Mounting plate precision-designed to stay on year round without compromising ground clearance.
 - Fits with or without Can-Am Skid Plates.
 - Refer to the chart above for the fitting.

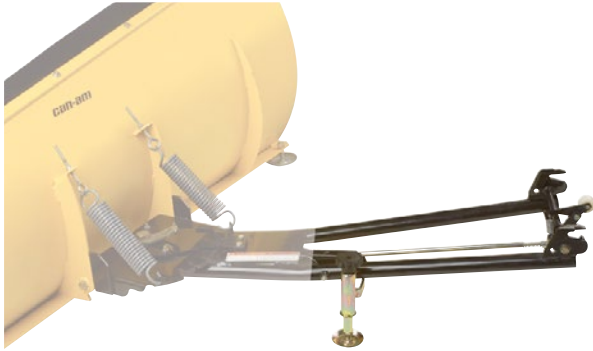
715001411

PLOW MOUNTING KIT

- (Not illustrated)
- Required to install Alpine Super-Duty Push Frame (715001064).
 - Quick-release pins attach and detach plow blade and base assembly in minutes.
 - Simplified installation.
 - Can be used with or without Alpine Super-Duty Quick-Attach System (715000731).
 - No frame drilling required.
 - Refer to the chart above for the fitting.

715002858

ALPINE SUPER-DUTY ACCESSORIES

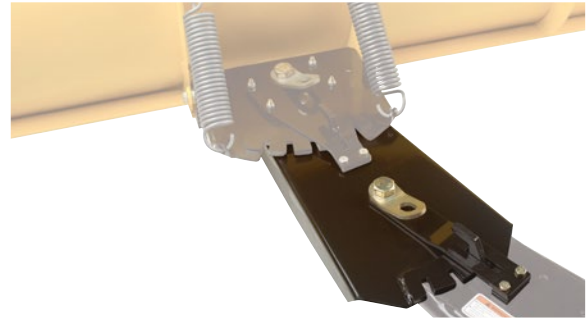


ALPINE SUPER-DUTY QUICK-ATTACH SYSTEM

- Available as an option to upgrade Alpine Super-Duty Push Frame (715001064).
- The plow will be easy to install with this quick-attach system.
- Durable with a powder-coated rust-resistant finish.

Fits: Alpine Super-Duty Plow

715000731



ALPINE SUPER-DUTY PUSH FRAME EXTENSION

- 12 1/4" (31 cm) chassis extension for use with Apache 360 Track System.
- Increases angle and enables extra blade rotation.
- Fits on Alpine Super-Duty Push Frame (715001063, 715001064, 715001182 and 715001474).

703500603

ALPINE SUPER-DUTY DRIFT CUTTER

- Helps keep snow in the plow.
- Designed with a rear pivot point.
- Works with both Straight and One Way State Blades.

Fits: Alpine Super-Duty Plow

Left

715000217

Right

715000218



ALPINE SUPER-DUTY PULLEY KIT

- Pulley kit to be used in conjunction with the winch when using a snow plow.
- Recommended to increase winch efficiency.
- To be used with the XT Front Bumper.

Fits: Alpine Super-Duty Plow

715000279



OTHER PLOW ACCESSORIES

ALPINE SYNTHETIC WINCH CABLE

- Specially designed for plowing applications.
- 8' (2.4 m) section of durable, extra-strong synthetic rope.
- Stands up to repeated, sharp angle pulls used to lift heavy plow blades.
- Temporarily replace your winch rope for plow season to save wear and tear on wire rope.

715000540



PLOW ROLLER FAIRLEAD

- Larger diameter lower roller reduces wear on wire rope for plow application.
- For use with Alpine Super-Duty Plow.

Fits: G2

705005715



REAR TIRE CHAINS

- Improve your traction in mud and snow.
- Sold in pairs.

26" x 10" x 12"

715500218

25" x 10" x 12"

715000225

52 **OUTLANDER 6X6 ACCESSORIES**



**LET NOTHING STOP YOU.
CUSTOMIZE YOUR OUTLANDER 6X6
& MAKE EVERY RIDE COUNT.**

OUTLANDER 6X6

APACHE 360 LT TRACK SYSTEM

- Exclusively for the Outlander 6x6.
- Cross obstacles up to 12" (30 cm) high.
- Enjoy superior acceleration, turning, braking, and side-hilling.
- Switch easily between enhanced attack angle or improved flotation.
- Reliable heavy-duty build.
- Can-Am designed technology.
- Mounting kit included.
- For winter use only.
- EC Compliant.

Fits: G2 (6x6 2016 and up models only)

715002386

Fits: G2 (6x6 2014-2015 models only)

619590299



Some products shown may not be available or homologated in your country. Contact your BRP dealer for local details.

OUTLANDER 6X6



SIDE WALLS AND TAIL GATE

- Allows for a quick and easy conversion of the cargo bed into a trunk with plenty of room.
- Rotationally molded walls provide extreme durability for hard work - in all conditions.

715002868 • Latin America/Asia Pacific
715001989 • Europe

HARD TOP

- The hard top provides a 116 Gal (440L) cargo box.
- Locking secures your belongings.
- The cover raises assisted by gas cylinders.

Fits: G2 (6x6 models only)

715002490 • Latin America/Asia Pacific
715002394 • Europe



NEW DRIVER BACKREST

- Provides the rider's back with that extra support that makes riding that extra mile way more comfortable.
- Adjusts horizontally to match the driver's height and preference.
- Mounts and locks in firmly onto the vehicle.
- Standard on T-homologated units.

Fits: G2 (6x6 only, EC compliant)

715003611 • Latin America/Asia Pacific/Europe



TAILGATE LIMITER KIT

- 2 L-shape brackets that hold the tailgate open horizontally.
- Keeps tailgate flush with the rest of the flatbed for longer oversized cargo.

Fits: G2 (6x6 models only)

715002534 • Latin America/Asia Pacific
715002080 • Europe



TAILGATE EXTENSION/DIVIDER

- The sturdy tailgate extension provides a 10" (25 cm) extension to the cargo space.
- Thanks to the longer cargo bed, even large loads pose no problem.
- With the help of LinQ quick locks, the extension also acts as a solid space divider for the cargo bed.

Fits: G2 (6x6 models only)

715002488 • Latin America/Asia Pacific
715002017 • Europe



LOG BARS

- Log bars allow you to convert the cargo bed into a perfect transport space for 4" (120 cm) timber.
- The driver's safety is guaranteed by the protective front screen.

Fits: G2 (6x6 models only)

715002486 • Latin America/Asia Pacific
715001987 • Europe

OUTLANDER 6X6



18 GAL (70L) UTILITY BOX

- Wherever you go and whatever you do, this handy 18 Gal (70L) utility box is your mobile storage.
- The lid keeps your equipment safe from the elements in all conditions.
- Slides under the flatbed with handles for easy access.

Fits: G2 (6x6 models only)

715002487 • Latin America/Asia Pacific
715001999 • Europe



FLATBED PROTECTION TUBES

- Bolt-on bumpers for the sides of the 6x6 flatbed.
- Protects the exterior plastic components of the flatbed from rocks, trees and other obstacles when traversing enclosed areas or loading cargo onto the bed.

Fits: G2 (6x6 models only)

715002489 • Latin America/Asia Pacific
715002030 • Europe



REAR WINCH KIT

- The remote-controlled rear winch is a godsend when you want to pull yourself out of a tough spot or move heavy loads.
- Includes a fully-sealed Warn winch and all wiring and hardware needed for an easy and quick installation.
- Pulling strength capability of 3,000 lb (1,361 kg).
- 50 ft. of 3/16" (15.2 m of 4.8 mm) wire steel cable.

Fits: G2 (6x6 models only)

715002484 • Latin America/Asia Pacific
715002067 • Europe



TARPAULIN

- Fitted to cover all of the items in your cargo box thoroughly.
- Prevents splash from entering cargo box.
- Easily removable for quick access.

Fits: G2 (6x6 models only)

715002491 • Latin America/Asia Pacific
715002416 • Europe

STORAGE COVER

- (Not illustrated)
- For storage use only.
- Heavy-duty elastic cord around bottom for secure fit.
- 100-denier polyester construction.
- Fits with or without windshield and mirrors.

Fits: G2 (6x6 models only)

715002492 • Latin America/Asia Pacific
715002415 • Europe



FULL BODY SKID PLATE

- A full body plastic skid plate (10 mm HDPE) designed to protect the frame and the engine case from rough terrain conditions.
- The plastic allows your ATV to slide easily over stumps and logs.

Fits: G2 (6x6 models only)

860200896 • Europe

ITP TERRACROSS TIRE

- This smooth-riding tire will command every bit of traction from the ground while still managing to float across loose snow, sand and mud.
- Features extreme-duty construction for improved puncture protection, extra-tough rubber compound for increased tread life, and the interlocking tread pattern and wide footprint make it one of the toughest and grippiest radials around.
- Not EC compliant.

Fits: G2 XTP, G2 Limited

Front
26" x 8" x 14"
705401906

Rear
26" x 10" x 14"
705502421



**GROUND-GRIPPING TRACTION MEETS LOOSE SNOW, SAND, & MUD
MANEUVERABILITY. THE TOUGH TIRE WITH THE SMOOTH RIDE.**

ZILLA TIRE BY MAXXIS*

- Sold individually.

Front
27" x 10" x 14"
705401302
Rear
27" x 12" x 14"
705501703



CARLISLE ACT TIRE

Fits: G2 (500-1000 XT models only)

Front
26" x 8" x 12"
705401333
705401334 - CE
Rear
26" x 10" x 12"
705501769
705501770 - CE

Fits: G2 (400 XT models only)

Front
25" x 8" x 12"
705400606
705400326 - CE
Rear
25" x 11" x 12"
705500933
705500598 - CE

CARLISLE ACT HD TIRE

Front
26" x 8" x 12"
705401736
Rear
26" x 10" x 12"
705502297



ITP HOLESHOT SR TIRE

Fits: DS 450

Front - 21" x 7" x 10" Rear - 20" x 10" x 9"
705400432 705500787



MAXXIS MUDZILLA TIRE

- Not EC compliant.

Fits: G2 (X mr 570 & 650 models only)

Front Rear
28" x 8" x 12" 28" x 10" x 12"
705402131 705502645



GORILLA SILVERBACK TIRE

- AT30X9-14 Gorilla Silverback mud tire.
- Sold individually.
- Not EC compliant.

Fits: G2 (850 & 1000 models only)

30" x 9" x 14"
705402178



CARLISLE BADLANDS A/R TIRE

Fits: G2 (500-1000 Base models only)

Front Rear
26" x 8" x 12" 26" x 10" x 12"
705401331 705501767
705401332 - CE 705501768 - CE

ITP QUADCROSS MX PRO TIRE

Fits: DS 450 X mx

Front - 20" x 6" x 10"
705400765

Rear - 18" x 10" x 8"
705501106



ITP HOLESHOT GNCC TIRE

Fits: DS 450 X xc

Front - 21" x 7" x 10"
705400650

Rear - 20" x 10" x 9"
705500989





CARLISLE TRAIL WOLF TIRE

Fits: G2 (400 Base models only)

Front 25" x 8" x 12"	Rear 25" x 11" x 12"
705401625	705502164
705400607 ·	705502165 ·



ITP HOLESHOT ATR TIRE

Fits: G2S

Front 205/80R12 25" x 8" x 12"	Rear 270/60R12 25" x 10" x 12"
705400600	705500926
705400475 ·	705500820 ·



DURO THRASHER TIRE

Fits: DS 90/70

Front - 19" x 7" x 8"	Rear - 18" x 9.5" x 8"
V42711DGF00LL	V42712DGF010LL



MONSTER TIRES

Deestone Swamp Witch Tyre
(Rims are sold separately)

27"	28"
Front	Front
619590209	619590033
Rear	Rear
619590210	619590032



KENDA KLAW MXR TIRE

Fits: DS 90 X

Front - 20" x 6" x 10"	Rear - 18" x 10.5" x 8"
V42711DGF01HLL	V42712DGF01HLL



REAR TIRE CHAINS

- Improve your traction in mud and snow.
- Sold in pairs.

26" x 10" x 12"	25" x 10" x 12"
715500218	715000225



KENDA KNARLY TIRE

Fits: DS 250

Front - 22" x 7" x 10"	Rear - 20" x 11" x 9"
S44710RCA000	S42710RCA000



HIGHWAY TIRES

Maxxis 28"
(Rims are sold separately)

Front 185/88 - 12 40N/TL	Rear 270/60 - 12 50N/TL
619590011	619590012

RIMS

14" RIM

- Premium cast aluminum black painted with machining and clear coat rim.
- Center hole: 72 mm
- Bolt circle pattern: 4/136 mm

Fits: G2 DPS, G2 XT, G2 MAX 650, G2 MAX XT, G2 MAX Limited

Front - 14" x 6.5" offset = 40 mm	Rear - 14" x 8.5" offset = 50 mm
705401853 - Black and machined	705502402 - Black and machined
705401852 - Black with clear coat	705502401 - Black with clear coat
705401851 - Silver with clear coat	705502400 - Silver with clear coat



NOTE: Matching Nuts - 250100100 Black, 250100082 Chrome / Matching Cap - 705400928

OUTLANDER X MR AND DEFENDER RIM

- Cast aluminum rim with trend setting explosive styling so you can ride - and look - like a trailblazer.
- Front: 14" x 6.5" offset = 10 mm.

Fits: ATV (X mr models front & rear wheels)

- 705401848 - Black and machined
- 705401849 - Black



OUTLANDER X MR RIM - ITP-SS212*

- Black with machining and clear coat rim.
- Matching Cap (705400963), Matching Nuts (250100100).
- Sold individually.

Fits: G2 (X mr models only)

Front & Rear - 14" x 6"

- 705400877 - Black and machined



NOTE: Matching Nuts - 250100100 Black, 250100082 Chrome / Matching Cap - 705401541

OUTLANDER RIM (CAMO MODEL)

- Black with clear coat aluminum rim.

Fits: G2, G2L, G2S

Front - 12" x 6" offset = 41 mm

705401127 - Black with clear coat

Rear - 12" x 7.5" offset = 51 mm

705501493 - Black with clear coat



LOCKOUT 393 14" RIM BY VISION*

- Sold individually.
- Matching Cap (705401362), Matching Nuts (250100100).

Front - 14" x 7"

Bolt circle pattern: 4/136 mm

Wheel offset: 4 + 3

705401363

Rear - 14" x 8"

Bolt circle pattern: 4/136 mm

Wheel offset: 4 + 4

705501787



12" BEADLOCK RIM

- Black with clear coat aluminum rim.
- Needs 16 bolts (250000435) for installing the Beadlock.
- Choice of Beadlock color (not included).

Fits: G2, G2L, G2S

Front - 12" x 6" offset = 41 mm

705401678 - Black

Rear - 12" x 7.5" offset = 51 mm

705502244 - Black



12" BEADLOCK

- Cast aluminum beadlock.
- Must be installed on Front Rim (705401678) and Rear Rim (705502244).

Fits: G2, G2L, G2S

- 705401763 - Can-Am Red
- 705401156 - Yellow
- 705401533 - Orange Crush
- 705401812 - Manta Green

NOTE: Matching Nuts - 250100100 / Matching Cap 705400928

14" BEADLOCK RIM

- Black with clear coat aluminum rim.
- Choice of beadlock color (not included).
- Needs 16 bolts (250000435) for installing the beadlock.

Fits: G2

Front - 14" x 6.5" offset = 41 mm

705401594

Rear - 14" x 8" offset = 51 mm

705502146



14" BEADLOCK

- Cast aluminum beadlock.
- Must be installed on Front Rim (705401594) and Rear Rim (705502146).

Fits: G2

- 705401586 - Manta Green
- 705401702 - Octane Blue
- 705401837 - Can-Am Red
- 705401840 - Black

NOTE: Matching Nuts - 250100100 / Matching Cap 705400928



**CAN-AM
SPORTSWEAR
& JERSEYS**
P.59-61



**PERFORMANCE STYLED
CROSS HELMETS & GOGGLES**
P.62-64



**HOODIES ARE FOREVER.
GEAR UP FOR LIFE WITH CAN-AM.**

NEW ZIPPED HOODIE

- Full-zip hooded sweatshirt.
- Ribbed waistband and cuffs.
- Can-Am print on hood with contrasting hood cords.
- Screen printed logos.

60% Cotton, 40% Polyester

286690

S, M, L, XL, 2XL, 3XL
Brick (33), Black (90)



NEW IMPULSE HOODIE

- Ribbed waistband and cuffs.
- Contrasting inner hood.
- Kangaroo front pocket.
- Screen printed logos.

60% Cotton, 40% Polyester

286689

S, M, L, XL, 2XL, 3XL
Khaki (05), Blue (80)



TECHNICIAN SHIRT

- Large X-Team embroidery at upper back.
- Pleat at back center for ease of movement.
- Chest pocket.

65% Polyester, 35% Cotton

286566 - S, M, L, XL, 2XL, 3XL

Charcoal Grey (07), Black (90)



ORIGINAL TEE

100% Cotton

286402 - S, M, L, XL, 2XL, 3XL - Heather Grey (27), Ice (38), Black (90)



NEW MAVERICK TEE

100% Cotton

454057 - S, M, L, XL, 2XL, 3XL - Sand (03), Blue (80)

X-TEAM TEE

- Print at sleeve and front.

100% Cotton

286618

S, M, L, XL, 2XL, 3XL
White (01), Black (90)



LADIES' X-TEAM TEE

- V-neck.

95% Cotton, 5% Spandex

286567

XS, S, M, L, XL
White (01) (01), Black (90)



NEW CLASSIC CAP

- Ultra comfortable, stretch, lightweight fabric.
- Metal adjuster with BRP logo.

55% Cotton, 45% Polyester

286675

One size
Orange (12), Black (90)



NEW MAVERICK CAP

- Plastic strap adjuster at back.
- Embroidered logo.

447354

One size
Khaki (05), Black (90)



SIGNATURE TEE

100% Cotton
 286320
 M, L, XL, 2XL, 3XL
 White (01), Khaki (05)

**TRACK TEE**

100% Cotton
 286574
 M, L, XL
 Red (30),
 Blue (80),
 Black (90)

**LADIES' IMPULSE TANK TOP**

• Contrasting binding at collar and armholes.
 • Can-Am print at back.
 95% Cotton, 5% Spandex
 286482 • S, M, L, XL • Camo (37)

**LONG SLEEVE ORIGINAL TEE**

100% Cotton
 286415
 M, L, XL, 2XL, 3XL
 Heather Grey (27),
 Ice (38), Black (90)

**KIDS' BLOCK TEE**

• Can-Am print on back shoulder.
 100% Cotton
 286472
 2, 3-4, 5-6
 Blue (80)

**BOY CHASE TEE**

• Can-Am print at back.
 100% Cotton
 286489
 7-8, 10-12, 14-16
 Red (30), Black (90)

**SUMMER BEANIE**

• Lightweight, plaid texturized knitted beanie.
 95% Cotton, 5% Spandex
 286323
 One size
 Black (90)

**GIRL CAN-AM HOODIE**

• Can-Am print at back.
 72% Cotton, 23% Polyester,
 5% Spandex
 286486
 7-8, 10-12, 14-16
 Purple (40)





X-RACE JERSEY

- Ultralight, quick-dry, antibacterial and moisture-wicking fabric.
- Mesh fabric for maximum breathability.
- Extended back for coverage while riding.
- Non-fading sublimated graphics.
- Rib cuffs.

100% Polyester

286614 · S, M, L, XL, 2XL, 3XL · Orange (12), Blue (80)



TEAM JERSEY

- Quick-dry, antibacterial moisture-wicking fabric.
- Extended back for coverage while riding.
- Non-fading sublimated graphics.
- Rib cuffs.

100% Polyester

286553 · S, M, L, XL, 2XL, 3XL · Khaki (05), Yellow (10)

MOSSY OAK CAMO JERSEY

- Ultralight, quick-dry, antibacterial moisture-wicking fabric.
- Extended back improves coverage.
- Non-fade sublimated Mossy Oak Break-Up Country Camo fabric matches ATV/Side-by-side pattern.

100% Polyester

286606 · M, L, XL, 2XL, 3XL
Mossy Oak Break-Up
Country Camo (37)



LADIES' TEAM JERSEY

- Semi-fitted lady's cut.
- Quick-dry, antibacterial, moisture-wicking fabric for maximum comfort.
- Mesh fabric for extra ventilation underarms and side seam.
- Rib cuff.

90% Polyester, 10% Spandex

286616 · XS, S, M, L, XL, 2XL · Pink (36), Teal (74)

MUD GEAR

NEW MUD JACKET

- 100% waterproof PVC.
- Electronically-welded seams.
- Underarm and rear vent panels.
- 2 hand pockets.
- Elastic cuffs.
- Drawstring hood and hem.

286676

S, M, L, XL, 2XL

Clear (00),
Matte Black (93)



MUD PANTS

- Oversized pants made of 100% waterproof PVC.
- Electronically-welded seams.
- Strategically placed ventilation.
- Side openings at bottom leg.

Polyvinyl Chloride (PVC)

286128

S, M, L, XL, 2XL

Clear (00),
Matte Black (93)





You can zip off sleeves to wear this jacket as a vest in warmer conditions and sleeves can be stored in lower back large pocket.



MEN'S RIDING JACKET

- Highly resistant, Teflon[®]-treated with RPM waterproof and breathable technology.
- Double-stitch construction throughout.
- Critical seams sealed.
- Double front flap and adjustable wrists and hem.
- Small opening at left shoulder for hydration pack water delivery tube (not included).
- Large ventilation at chest, sleeves and back for maximum breathability and good airflow.
- Shaped sleeves.
- Sleeves can be stored in lower large back pocket.
- Multiple pockets.

- Mesh lining.
 - Reflective details.
 - Jacket-to-pants connector.
- 100% Nylon

286390 • XS, S, M, L, XL, 2XL, 3XL • Yellow (10), Camo (37), Black (90)



MEN'S ADVENTURE PANTS

- Lightweight durable pants with RPM waterproof and breathable technology.
 - Stretch waterproof panel at crotch and upper back for ease of movement.
 - Triple stitched construction at crotch.
 - Critical seams sealed.
 - Shaped knees with darts.
 - Binding hem at cuff for reinforcement.
 - Storm gaiters at bottom opening.
 - Velcro[®] side waist adjustment.
 - Side leg 2-way zipper to facilitate exit.
 - Jacket-to-pants connector.
 - Mesh lining.
 - Belt loops.
- 100% Nylon

286391
28, 30, 32, 34, 36, 38, 40, 42, 44
Yellow (10), Camo (37), Black (90)



Availability depending on sizes and colors.



RANCH HEAVY DUTY JACKET

- Heavy-duty stain and water-repellent cotton canvas.
- Lightly insulated.
- Rear armhole gusset enhances mobility.
- Shaped sleeves and back tail for riding comfort.
- Multiple pockets.

100% Cotton
Insulation: 100% Polyester

286551
S, M, L, XL, 2XL, 3XL
Brown (04)



RANCH HEAVY DUTY PANTS

- Heavy-duty stain and water-repellent cotton canvas.
- 2 side-leg cargo pockets.
- Belt loops.
- Pre-shaped legs.

100% Cotton

286556
28, 30, 32, 34, 36,
38, 40, 42, 44
Brown (04)



STORM JACKET



- RPM MAX waterproof, windproof and breathable technology.
- Windproof DWR-treated polyester fabric.
- Fully-sealed seams.
- Double front-flap with interior rain gutter.
- Minimalist design helps repel mud and water.
- Zippered pockets at left chest and waist.
- Inner pocket with Velcro closure.
- Gussets at back armhole for ease of movement.
- Pre-shaped sleeves.
- Can-Am print at front.
- Embossed Can-Am patch at back.
- Adjustable wrists and hem.

100% Polyester

286611
M, L, XL, 2XL, 3XL
Khaki (05)



STORM PANTS



- RPM MAX waterproof, windproof and breathable technology.
- Windproof DWR-treated polyester fabric.
- Fully-sealed seams.
- Zippered pocket on left leg.
- Adjustable suspenders with bib.
- Y-shape strap designed to stay securely on shoulders.
- Storm gaiters at bottom opening.
- Self-fabric gusset at crotch keeps out water and mud.
- Pre-shaped legs.
- Can-Am print at right leg.
- Reinforced inner-leg fabric.

100% Polyester

286612
S, M, L, XL, 2XL, 3XL
Khaki (05)



CAN-AM WINDPROOF JACKET

- Windproof DWR-treated nylon.
- Adjusted fit.
- Sealed critical seams.
- Hand pockets, plus interior Napoleon pocket.
- Large high-visibility reflective stripes on shoulders.
- Adjustable wrists and hem.
- Jacket-pant connector.
- Pre-shaped sleeves.
- Can-Am branded on front-rear.

100% Nylon

286578
XS, S, M, L, XL, 2XL, 3XL
Black (90)



CAN-AM WINDPROOF PANTS

- Windproof DWR-treated nylon.
- Adjusted fit.
- Durable 500-denier seat fabric.
- Sealed critical seams.
- High pocket.
- Elasticized waist with belt loop.
- Fitted to be worn over pants.
- Pre-shaped legs.
- Can-Am branded pocket.

100% Nylon

286579
28, 30, 32, 34, 36, 38, 40, 42, 44
Black (90)



NEW  **RPM****WINTER RIDING JACKET**

- Robust textured fabric featuring RPM waterproof, windproof and breathable technology.
- Critical seams sealed for added protection.
- Vents at underarm to enhance moisture evacuation during rigorous riding or mild weather.
- 2 waist pockets and 1 Napoleon pocket.
- Cap inner pockets.
- Cold-blocking front flap with insulated under flap uniquely designed for off-road riding windproofness.
- Powder skirt to keep wind, cold and snow from entering.
- Reflective details.
- Micro-polyester at collar and micro-fleece integrated inner wrists.
- Inside front and back panels lined with micro-fleece to add warmth and comfort.
- Easy-access collar adjustment on both sides.
- Bottom and wrist adjustments.
- Can-Am print at front and on sleeve.
- Can-Am embroidery at back.

60% Polyester, 40% Nylon
Insulation: Primaloft Black**286609 - M, L, XL, 2XL, 3XL - Black (90)****NEW**  **RPM****WINTER RIDING HIGHPANTS**

- RPM waterproof, windproof and breathable technology.
- Intelligent combination of materials specifically adapted to winter riding.
- Critical seams sealed.
- Reinforced fabric at seat and knees.
- 3/4 length side zippers with adjustable hem.
- Reflective details.
- Storm gaiter with boot lace snap-on webbing to shield snow entry.
- Pre-shaped legs.
- Bib-style pants with high back and front to keep wind and snow out.
- Adjustable suspenders with Y-shape strap designed to stay securely on shoulders.
- Fleece-lined seat.

60% Polyester, 40% Nylon
Insulation: Primaloft Black**286610 - S, M, L, XL, 2XL, 3XL
Black (90)****LADIES' CROSS PANTS**

- Lightweight durable pants with RPM waterproof and breathable technology.
- 500-denier waterproof nylon at seat and bottom inseam.
- Stretch fabric waistband.
- Critical seams sealed.
- Water-resistant thigh zipper vent.
- Hip pocket with zipper and flap.
- Jacket-to-pants connector.
- Binding hem at cuff for reinforcement.
- Storm gaiters at bottom opening.
- Shaped knees with darts.
- Mesh lining.
- Belt loops.

100% Nylon

286478**6, 8, 10, 12 - Black (90)****LADIES' WINTER RIDING HIGHPANTS**

- RPM MAX waterproof, windproof and breathable technology.
- Technical, comfortable, versatile with feminine cut.
- All seams and logos sealed.
- 1000-denier nylon-lined seat, knees and inner legs.
- Polar-fleece lined seat and knees.
- Stretch-fleece bib.
- Drop seat design.
- Shaped knees.
- 2-way full-length side zippers.
- Adjustable waist.
- Hip pockets.
- Water-resistant zipper at right thigh pocket.
- Reflective details.

90% Nylon, 10% Polyester
Insulation: Primaloft Black**286460 - XS, S, M, L, 3XL
Matte Black (93)****MOSSY OAK CAMO JACKET**

- Stealthy-silent waterproof Mossy Oak Break-Up Country Camo fabric matches ATV/Side-by-side pattern.
- Fully-sealed seams.
- Sleeve and side seam ventilation evacuates moisture.
- Detachable hood and molded visor with height-adjustment drawstring.
- Adjustable cuff with hook-and-loop tab.
- Chest pockets, 2 expandable lower pockets, plus hand-warmer pockets.
- Designed for backpack wear with easy access to vents and pockets.
- Articulated elbow with longer back tailored for riding position.

100% Polyester

286544 - M, L, XL, 2XL**Mossy Oak Break-Up Country Camo (37)****MOSSY OAK CAMO PANTS**

- Stealthy-silent waterproof Mossy Oak Break-Up Country Camo fabric matches ATV/Side-by-side pattern.
- Fully-sealed seams.
- Dual easy-access cargo pockets.
- Knee-high side zipper.
- Thinner knee and seat foam for added comfort.
- Removable suspenders.
- Articulated knee and raised back waist ideal for riding position.
- Brushed tricot lining.
- Belt loops.
- Adjustable bottom leg system.

100% Polyester

286545 - M, L, XL, 2XL**Mossy Oak Break-Up Country Camo (37)**

MOSSY OAK CAMO FLEECE

- Full-zip fleece with hand warmer pockets.
 - Mossy Oak Break-Up Country Camo fabric matches ATV/Side-by-side pattern.
- 100% Polyester
286589
M, L, XL, 2XL
Mossy Oak Break-Up Country Camo (37)



OVERSHIRT

- Plaid flannel overshirt.
 - Slightly insulated.
 - Front opening with press buttons.
 - 2 chest pockets.
- 100% Cotton
286587
M, L, XL, 2XL, 3XL
Black (90)



MUST HAVE



BALACLAVAS

MICRO-FLEECE BALACLAVA

- Stretch, antibacterial warming fleece fabric with brushed inner surface.
 - Flatlocked seams prevent skin chafing.
- 92% Polyester, 8% Spandex
447565
One size • Black (90)



TECHNICAL BALACLAVA

- Micro-fleece balaclava with strategically placed mesh for breathability.
 - Windproof neck bib.
 - Higher at back of neck for increased motion range.
 - Flatlocked seams prevent skin chafing.
- 92% Polyester, 8% Spandex
445950
One size • Black (90)



BASIC BALACLAVA

- Designed for warmth, dryness and comfort.
 - Flatlocked seams prevent skin chafing.
- 80% Nylon, 20% Spandex
447449
One size • Black (90)



NECK AND BODY CORE PROTECTION



WINDPROOF LAYER

- Coverage for your crucial body core.
 - Windproof, warm and breathable layer.
 - Stretch fabric and unrestricted arm movement.
 - Zipper on shoulder for easy slip on/off, even with a helmet.
 - Flatlock seams to prevent skin chafing.
- 100% Polyester
286348
S, M, L, XL, 2XL • Black (90)



NECK GAITER

- Anti-pilling fleece.
 - Spandex binding for a better fit.
- 100% Polyester
286331
One size • Black (90)

SOCKS

ULTRALIGHT SOCKS

- Warm and comfortable moisture-wicking for dry feet at all times.
 - Extreme resistance to cold and active management of perspiration moisture.
 - Dri-release[®] wool combines ease of care of synthetic fabric and look of natural fiber.
 - Elastic ankle and arch support.
 - Stay-up comfort top keeps socks up.
- 49% Polyester, 25% Polyamide Nylon, 17% Polypropylene, 7% Merino Wool, 2% Elastane
286340 • S/M, L/XL • Black (90)



THERMAL SOCKS

- Same thickness as competing thermal socks, but lighter, warmer and with better moisture-wicking performance.
 - Elastic ankle and arch support for pro feel.
 - Thermolite[®] hollow-core fibers deliver new generation of warmth-comfort fusion.
 - Stay-up comfort top keeps socks up.
 - Fully cushioned shin segment.
- 50% Polyester Thermolite[®], 21% Polyamide Nylon, 17% Merino Wool, 5% Acrylic, 2% Elastane
286341 • S/M, L/XL • Black (90)

17% MERINO WOOL



Availability depending on sizes and colors.



CAN-AM RIDING BOOTS

- Rider-tough 20cm lace-up-style riding boots.
- VIBRAM® Bifida® outsoles for superior performance.
- COSMO® HydroGuard® waterproofing.
- Full-grain leather upper (waterproof nubuck in beige model).
- Removable Meramec® Ultron® insoles.

100% Leather

444197 - 7, 8, 9, 10, 11, 12, 13
Beige (02), Black (90)

- High-gusseted tongue keeps out water and debris.
- Ultra-comfortable padded collar.
- Steel toecaps.
- Abrasion-resistant TPU toe protectors.
- Double heavy-duty stitching in higher-stress areas.
- Abrasion-resistant laces.



CAN-AM NEOPRENE MUD BOOTS

- 100% waterproof polyurethane boot.
- Neoprene upper for maximum flexibility while walking or riding.
- Lightweight and comfortable soft liner.
- Aggressive tread design for maximum grip on any surface.
- Excellent resistance to oils, grease and gasoline.

60% Polyurethane, 40% Neoprene

444196
8, 9, 10, 11, 12, 13
Black (90)

444201
8, 9, 10, 11, 12, 13
Next G-1 Vista Camo (37)

NEW CAN-AM RACE SAND GOGGLES BY SCOTT

- Integrated custom painted frame and strap graphics.
- No Fog[®] anti-fog lens treatment.
- 100% UV protected grey Lexan[®] lens.
- Dust catcher vent foam.
- Multi-layer face foam.
- Durable anti-slip strap.
- Tear-off and roll-off compatible (sold separately).

448491
One size
Black (90)



CAN-AM TRAIL GOGGLES BY SCOTT

- 100% UV protected clear Lexan lens.
- Hypoallergenic super-soft face foam.
- Durable anti-slip strap.
- Tear-off and roll-off compatible (sold separately).

447899
One size
White (01),
Yellow (10),
Black (90)



CAN-AM ADVENTURE SPEED STRAP GOGGLES BY SCOTT

- No Fog anti-fog lens treatment.
- Clear Lexan lens.
- Multi-layer face foam.
- Durable rubber-threaded strap.
- Tear-off and roll-off compatible (sold separately).
- Clever and easy attachment system.

447934
One size
White (01), Yellow (10), Black (90)



NEW CAN-AM JUNIOR TRAIL GOGGLES BY SCOTT

- Integrated custom painted frame and strap graphics.
- No Fog[®] anti-fog lens treatment.
- 100% Plastic UV protected clear Lexan[®] lens.
- Multi-layer face foam.
- Durable anti-slip strap.

448512
One size
Black (90)



CAN-AM ADVENTURE OVER THE GLASSES GOGGLES BY SCOTT

- Same great features as the Can-Am Adventure goggles, engineered to fit comfortably with prescription eyeglasses.

447901
One size - Black (90)



SPEED STRAP HELMET ATTACHMENT SYSTEM

- Quick fastening system features enhancements not found in other similar systems.
- Proven pivot design provides secure and easy-to-use durable attachment to any helmet.
- On-the-fly strap tension adjustment for riders on the go.

447912
One size - Black (90)



CAN-AM ADVENTURE GOGGLES BY SCOTT

- No Fog anti-fog lens treatment.
- Clear Lexan lens.
- Multi-layer face foam.
- Durable anti-slip strap.
- Tear-off and roll-off compatible (sold separately).

447900
One size - White (01), Yellow (10), Black (90)



CAN-AM WORKS FILM SYSTEM BY SCOTT

- 1 anti-stick replacement lens.
- 2 rolls of film.
- 1 mud flap.
- 6 tear-offs.

447908
One size - Clear (00)



CAN-AM WORKS SINGLE LENS TEAR-OFF BY SCOTT

- 1 clear replacement lens.
- 6 tear-offs.
- 2 posts included.

447910
One size - Clear (00)



GOGGLES REPLACEMENT SINGLE LENS

- Impact-resistant polycarbonate.
- No Fog anti-fog lens treatment.

447905
One size - Clear (00),
Grey (09)

448225
One size - Mirror Silver
(22)



GOGGLES REPLACEMENT DUAL LENS

- Impact-resistant polycarbonate.
- No Fog anti-fog lens treatment.

447906
One size - Clear (00), Pink (36)

XP-R2

ULTRA LIGHTWEIGHT AND STRONG MULTI-DIRECTIONAL CARBON FIBER CONSTRUCTION WITH PREMIUM STYLE AND DETAILS.

XP-R2 CARBON LIGHT BLAZE HELMET

Shell: Carbon Fiber Composite

447657
XS, S, M, L, XL, 2XL, 3XL
Orange (12)

DOT **ECE22.05**



XP-R2 CARBON LIGHT HELMET

Shell: Carbon Fiber Composite

447656
XS, S, M, L, XL, 2XL, 3XL
Black (90)

DOT **ECE22.05**



XP-R2 CARBON LIGHT ORIGINAL HELMET

Shell: Carbon Fiber Composite

447830
XS, S, M, L, XL, 2XL, 3XL
White (01)

DOT **ECE22.05**



XP-R2 MORPHO KIT

• For a perfect custom fit.
• Left and right pads included.

447754
XS, S, M, L, XL, 2XL, 3XL - Clear (00)



XP-3

SUPERLIGHT CROSS-STYLE HELMET: FEATURE-PACKED FOR EXCEPTIONAL PERFORMANCE, PROTECTION AND COMFORT.

XP-3 X-RACE HELMET

• Durable multi-colored clear-coated graphics.

Shell: Fiberglass

DOT **Snell** **ECE22.05**



448395
XS, S, M, L, XL, 2XL
Orange (12), Blue (80)



448342 - ECE
XS, S, M, L, XL, 2XL
Yellow (10), Green (70)

JUNIOR

NEW JUNIOR X CROSS CRUSH HELMET

- High-tech, lightweight and tough.
- Fully-adjustable aero-tuned peak.
- Moisture-wicking and breathable chin strap, liner and cheek pads.
- Ventilation system.
- Easily removable and washable liner and cheek pads.
- Provides maximum visibility.
- Fits all goggles.
- Strap grip to hold goggles strap in place.
- D.O.T. and EC certified.
- Breath deflector mask included.
- Available with clear-coated bold waterslide graphics.

ABS

448506 - S, M, L - Black with graphics (94)

DOT **ECE22.05**



XC-4

PREMIUM LOOK & STYLE.

**XC-4 MODERN HERITAGE
HELMET**

Shell: Polycarbonate Composite

ECE VERSION

448340

XS, S, M, L, XL, 2XL

White (01)

ECE22.05

**LADIES' XC-4 HELMET**

Shell: Polycarbonate Composite

448397

XS, S, M, L, XL, 2XL

Pink (36)

DOT ECE22.05

**ENDURO**DESIGNED FOR LONG RIDES
AND HIGH ADVENTURE.**NEW CAN-AM EX-2
ENDURO HELMET**

Shell: Polycarbonate Composite

448466

XS, S, M, L, XL, 2XL

Black with graphics (94)

DOT ECE22.05

**ENDURO CAMO
HELMET**Shell: Polycarbonate
Composite

448282

S, M, L, XL, 3XL

Camo (37)

DOT ECE22.05

**DUST MASKS**

- Easily replaceable filters remove 99.9% of airborne dust, particles, pollen and odors.
- Made from soft yet durable neoprene material that fits snugly under helmets and goggles.
- XS/S fits most kids 12 and under, M/L fits most riders and XL/2XL fits larger frames (235+ lbs).
- Includes 2 replacement filters and a small storing pouch.

**CAN-AM ORIGIN
DUST MASK**

447833

XS/S, M/L, XL/2XL

Black (90)

**CAN-AM VENTED
DUST MASK**

448246

XS/S, M/L, XL/2XL

Grey (09)

**CAN-AM X-RACE
DUST MASK**

448247

XS/S, M/L, XL/2XL

Yellow (10)

**COMMUNICATION SYSTEM****SENA 20S BLUETOOTH COMM SYSTEM**

- Super-versatile, water-resistant multi-function Bluetooth communication, navigation and music system designed for outdoor and vehicle sound environment use.
- Driver-to-passenger and driver-to-driver communication at a range over 1.2 miles (2 km).
- Up to 12-hour talk and 10-day stand-by time on a single charge – permits simultaneous charge and play.
- 4-way conference, smartphone, intercom-to-phone connection, GPS and MP3 music playback via AVRCP operation, or easy-adjust manual operation with exclusive Jog Dial.
- Bluetooth technology allows for seamless connection with stereo headset, MP3 players, and smartphones.
- Voice-prompt feedback, clear and natural sound quality, individual volume control for each audio source, fully-integrated audio booster delivers optimal sound level – fully firmware-upgradable.
- Complete with integrated microphone, wired microphone, wired boom microphone, speakers, plus MP3, earbud, and GPS ports.

Single Pack

448207 · One

size

Black (90)

Dual Pack

448208 · One

size

Black (90)



*Some models and accessories shown may not be available or homologated in your country. Contact your BRP dealer or local authorities for information.

Availability depending on sizes and colors.

GLOVES

X-RACE GLOVES

- Air mesh panels and perforated palm for ventilation and mobility.
- Double Clarino® layer at palm and thumb for extra durability and comfort.
- Knuckle gussets for better mobility.
- Pre-curved design.
- Silicone at fingertips for added grip and control.
- Direct-injection details on back hand.
- Hook-and-loop wrist closure system to keep glove in place.



MEN'S'
Air Mesh, Spandex, Clarino
286561
S, M, L, XL, 2XL
Charcoal Grey (07),
Blue (80)



LADIES'
35% Synthetic Leather, 30%
Polyester, 15% Lycra, 10%
Nylon, 10% Neoprene
286617
S, M, L, XL, 2XL
White (01), Pink (36)

TEAM GLOVES

- Spandex construction for flexibility.
- Chamude palm.
- Pre-curved design.
- Non-fading sublimated graphics.
- Easy slip-on/slip-off convenience.

Shell: Spandex,
Chamude, Polyester

286554
S, M, L, XL, 2XL, 3XL
Charcoal Grey (07)



RANCH HEAVY DUTY GLOVES

- Full leather gloves.
- Durable double-layer sueded palm.
- Elastic wrist for slip-on/slip-off convenience.

100% Cow Leather

286563
S, M, L, XL,
2XL, 3XL
Beige (02)



MOSSY OAK CAMO GLOVES

- Matches ATV/Side-by-side Mossy Oak Break-Up Country Camo pattern.
- 100g insulation keeps out the cold.
- Quick, easy forefinger trigger* access.
- Extra-durable leather-layered palm provides added grip.
- Hipora™ waterproof/windproof/breathable insert.
- Velcro® wrist adjustment.
- Pre-shaped fingers.
- Large gauntlet ensures proper jacket-sleeve overlap.

* Forefinger area not completely waterproofed.

85% Polyester, 15% Leather
Insulation: 100% Polyester

286572 - M, L, XL, 2XL, 3XL - Mossy Oak
Break-Up Country Camo (37)



BAGS

**NEW** CAN-AM SLAYER GEAR BAG BY OGIO

- Large main compartment with easy access to all gear.
- Large separated boot pocket.
- Zippered accessory pocket.
- Easy grab handles for transport.
- Detachable shoulder strap.
- Heavy-duty reinforced base
- Dimensions: 32" H x 16" W x 18" D (81 cm x 41 cm x 46 cm)

469294 - One size - Black (90)

**NEW** CAN-AM URBAN BACKPACK BY OGIO

- Airport security friendly protective laptop compartment.
- Padded iPad™/tablet/e-reader pocket.
- Dual side water bottle/accessory holders.
- Fully adjustable ergonomic shoulder straps.
- Front pocket with two padded accessory compartments and slip pocket.
- Dimensions: 19.5" H x 13.5" W x 9.5" D (50 cm x 34 cm x 24 cm).

469293 - One size - Black (90)



CAN-AM CARRIER 9800 GEAR BAG BY OGIO

- Structural Load Equalization Deck (SLED) wheeled chassis system.
- Wide mouth lid opening for easy access to all compartments and specialty pockets.
- iFOM integrated foam panel construction throughout entire bag for added protection.
- Adjustable main compartment dividers for custom organization.
- Multiple zippered mesh organization pockets for garment, shoes, and accessories.
- Front accessory pocket and secure hold compression system.
- Oversized heavy-duty treaded wheels.
- Telescoping pull handle.
- Dimensions: 40 cm x 43 cm x 91 cm. (H x W x D)

75% Polyester, 25% Plastic

447853
One size
Black (90)

WINTER RIDING GLOVES AND MITTS

- mcFIT[®] technology to improve grip at palm.
- Extra warm nylon gloves with leather palm.
- Removable antibacterial, stay-dry moisture management lining.

- Gloves with visor-wiping cotton terry left thumb for clearing water, snow or fog.
- Reflective details.

Nylon, Leather
Insulation: Primaloft Gold



GLOVES
286582
286204
S, M, XL
Black (90)



MITTS
286583
S, M, L, XL,
2XL
Black (90)



mcFit stands for Maximum Comfort Fit because the membrane and outer shell are laminated together. Gloves using this technology are more flexible and ultimately result in a better feel.



CAN-AM CARRIER DRY BACKPACK BY OGIO

- Completely waterproof rolltop design.
- Constructed of 420-denier nylon for durability.
- Dual-density shoulder straps and adjustable sternum strap.
- Quick-access front pocket.
- Organization panel with 2 zip pockets on inside.
- Laptop and tablet sleeves.
- 360-degree reflective print.
- Removable high-visibility liner.
- Dimensions: 52 cm (rolled) x 27 cm x 17 cm. (H x W x D)

100% Polyester

469544

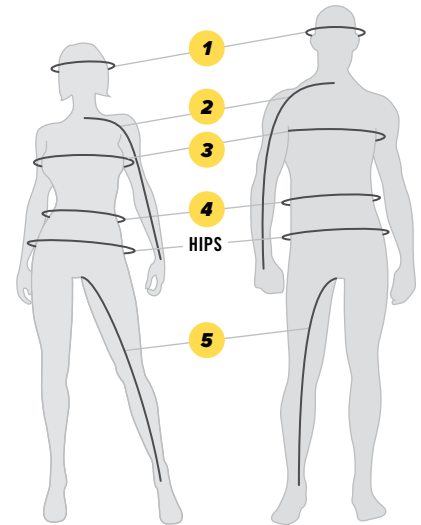
One size
Black (90)

Availability depending on sizes and colors.

HOW TO MEASURE

- For best results, have someone else take measurements.
- Measure body in underwear.
- Tape must be snug but not tight.
- If measurements fall between two sizes, order the larger size.

1 HEAD	Around your head, from the center of the forehead, above the ears and over the natural bump at the back of the head.
2 ARM LENGTH	Let the hands hang down on the side in a slightly bent position. Measure from the center of the back of your neck, along the length of your arm, to the wrist.
3 CHEST/BUST	Measure under your arms, around the fullest part of your chest.
4 WAIST	Measure around your natural waistline, keeping one finger between the tape and body.
5 INSEAM	Without shoes, from crotch to the floor.
GLOVES	Measure palm width.



WHAT CODE REPRESENTS YOUR SIZE?

1. Find your size.
2. The corresponding code is **THE CODE** you use to complete the part number on your order.
Example: 440227__90 Size: M = Code "06", therefore 4402270690

SIZE	CODE	SIZE	CODE	SIZE	CODE	SIZE	CODE	SIZE	CODE	SIZE	CODE
One Size	00	XL	12	L/XL	73	11/12	56	10	30	32	38
XS	02	XLT	13	2	21	13/14	80	10.5	99	34	39
XS/S	90	2XL	14	3/4	79	14/16	50	11	31	36	40
S	04	3XL	16	5/6	52	4	23	12	32	38	41
M	06	4XL	18	6/8	48	6	25	13	33	40	42
MT	07	5XL	88	7/8	54	7	27	14	34	42	43
L	09	S/M	72	9/10	55	8	28	28	36	44	44
LT	10	M/L	91	10/12	49	9	29	30	37		

MEN'S - 1,77 M - 1,83 M BODY MEASUREMENTS

	S	M	L	XL	2XL	3XL
CHEST	89-94	94-102	102-112	112-122	122-132	132-142
WAIST	74-79	79-86	86-97	97-107	107-117	117-127
HIPS	89-94	94-102	102-112	112-122	122-132	132-142
ARM LENGTH	79-81	81-84	84-86	86-89	89	89-91
INSEAM	80-81	81	81	81	81-82	82-83

LADIES' - 1,64 M - 1,77 M

	XS	S	M	L	XL	2XL	3XL
CHEST	81-86	86-91	91-99	99-107	107-114	114-124	124-134
WAIST	61-66	66-71	71-76	76-86	86-94	94-104	104-114
HIPS	86-91	91-97	97-102	102-112	112-119	119-132	132-140
ARM LENGTH	79	79-81	81	81-83	83	83-86	86
INSEAM	76	76	76	76	76	76-77	77

MEN'S GLOVES (MEASURE PALM WIDTH)

	S	M	L	XL	2XL	3XL
CM	7.5	8.5	9.5	10.5	11.5	14

LADIES' GLOVES (MEASURE PALM WIDTH)

	S	M	L	XL	2XL
CM	6.8	7.5	8.3	9	11.5

HELMETS

	XS	S	S/M	M	M/L	L	XL	2XL	3XL
HAT SIZE	6 ³ / ₈ - 6 ³ / ₄	6 ⁷ / ₈ - 7	7 ¹ / ₈	7 ¹ / ₈ - 7 ¹ / ₄	7 ¹ / ₄	7 ³ / ₈ - 7 ¹ / ₂	7 ³ / ₈ - 7 ³ / ₄	7 ⁷ / ₈ - 8	8 ¹ / ₈ - 8 ¹ / ₄
HEAD (CM)	53-54	55-56	57	57-58	58	59-60	61-62	65-66	65-66

JUNIOR HELMETS

	S	M	L
HAT SIZE	6 ¹ / ₈ - 6 ¹ / ₄	6 ³ / ₈ - 6 ¹ / ₂	6 ³ / ₄ - 6 ³ / ₄
HEAD (CM)	49-50	51-52	53-54

GENUINE BRP PARTS:

THE RIGHT WAY TO PROTECT YOUR INVESTMENT.



GENUINE MAINTENANCE PARTS

ENGINEERED TO DELIVER OPTIMUM PERFORMANCE AND EXTEND ENGINE LIFE ACROSS A WIDE RANGE OF OPERATING CONDITIONS.



NGK SPARK PLUGS

• Ask your authorized Can-Am dealer which one fits your vehicle.

FUEL FILTER

(Not illustrated)

709000330 • Fits ATV 2011 and up



OIL FILTER

420256188 • Fits all
420256455 • Fits DS450

COMPLETE OIL
CHANGE KIT
ALSO AVAILABLE.
(SEE PAGE 68)

O-RING (DRAIN PLUG)

(Not illustrated)

420552280

O-RING (OIL FILTER COVER)

(Not illustrated)

420230920



AIR FILTERS

- Prevent airborne contaminants from reaching your engine.
- Protect internal components against premature wear.
- Genuine BRP air filters ensure absolute compatibility and a perfect fit.
- Ask your authorized Can-Am dealer which one fits your vehicle.

OIL & MAINTENANCE PRODUCTS AT PAGE 77

DID YOU KNOW?

1 YEAR LIMITED WARRANTY ON BRP REPLACEMENT GENUINE PARTS



LEARN MORE ON PAGE 68

PREMIUM DRIVE BELT

- High-performance design ideal for off-road use.
- BRP-specific calibration adjusted to best suit your Can-Am vehicle.
- Ask your authorized Can-Am dealer which one fits your vehicle.

422280360

715900024

PERFORMANCE DRIVE BELT (100% PBO)

- High-performance belt technology designed for Side-by-side usage, but compatible on ATV for the most enthusiast drivers.
- 100% cutting-edge PBO high-tensile strength polymer fiber construction.
- Designed for high-temperature robustness and prolonged durability.

422280364

PULLER/LOCKING TOOL / DRIVEN ADAPTOR

(Not illustrated)

- Spreads the secondary clutch open for easy belt replacement.
- Locks engine at TDC for maintenance tasks.

529036098

CVT GASKET COVER

(Not illustrated)

G2 (Outlander MAX & Renegade) **G2L (Outlander & Outlander MAX 450)** **G1 (Outlander & Outlander MAX 400)**

420430126

420630292

420630290

PRESERVE THE VALUE OF YOUR VEHICLE WITH REPLACEMENT PARTS YOU CAN RELY ON. ENGINEERED WITH HIGH PRECISION & TOLERANCES, NOTHING FITS A BRP VEHICLE BETTER THAN BRP GENUINE PARTS.



METALLIC BRAKE PAD KIT

- Built strong to last long – heavy-duty construction stands up to hard braking.
- Designed to handle demanding riding conditions with challenging braking environments such as mud and sand.
- Created specifically for use with Can-Am ATV.

Fits: G2 2013 & up (except with 400 engine), G2 2012 with 800R or 1000 engine (except MAX models), G2L 2015 & up, G2S 2012 & up (except G2S 2012 with 500 engine)

Front Left
715900248

Front and
Rear Right
715900249

ORGANIC BRAKE PAD KIT

- Chosen as the standard OEM on Can-Am ATV for dry conditions.
- Provides excellent braking capacity with optimal efficiency, a great feel, and low noise.

Fits: G2 2013 & up (except with 400 engine), G2 2012 with 800R or 1000 engine (except MAX models), G2L 2015 & up, G2S 2012 & up (except G2S 2012 with 500 engine)

Front Left
705601015

Front and
Rear Right
705601014



YUASA[†] BATTERIES

- Top of the line models from the leading preferred original equipment battery supplier in North America.

18 Amps. Wet - (YTX20L-BS) • 410301203

19 Amps. Dry - (YB16CL-B) • 278001756

13 Amps. Wet - (YTX15L-BS) • 710000283



TOUCH-UP PEN

- Ideal for do-it-yourself small paint repairs caused by rock chips and scratches on your bumpers, roll cage, a-arms, springs, beadlocks, etc.
- Genuine Can-Am color perfectly matches original paint for seamless coverage.
- For use on metal parts only.

529036363 • Can-Am Red

529000084 • Octane Blue

529036362 • Manta Green

529000095 • Sunburst Yellow



CV BOOT KITS

- Come with clamps and grease.
- Genuine BRP CV Boot Kits ensure absolute compatibility and a perfect fit.
- Ask your authorized Can-Am dealer which one fits your vehicle.

PREMIUM HALF SHAFT

- Premium quality design ideal for off-road use.
- Includes CVs, Shaft and Boots with the best suited geometry for your Can-Am vehicle.
- Ask your authorized Can-Am dealer which one fits your vehicle.

PERFORMANCE HALF SHAFT

- High-performance design ideal for off-road use with superior protection in mud riding.
- Includes CVs, shaft and Boots with the best suited geometry for your Can-Am vehicle.
- Ask your authorized Can-Am dealer which one fits your vehicle.



CHOOSING THE RIGHT ONE CAN IMPACT POWER & PERFORMANCE.

A drive belt is the essential link between engine & drivetrain, so there's no overstating its importance for obtaining maximum power & efficiency. If your drive belt can't reach & maintain performance, then no amount fine-tuning or performance customization will make a difference.

Clutches & gears are calibrated for optimum ride-specific performance, so it only makes sense to use a specialized ride-specific drive belt too.

Our engineers always consider the heat generation & load conditions created by different riding styles. For example, the Maverick X3 produces higher drivetrain loads at hard throttle through dunes and requires a stiffer drive belt with high heat resistance. But a heavily loaded utility vehicle can also encounter high drivetrain loads. However, the clutch calibration, engine, RPM, velocity, and work environment differ significantly necessitating a drive belt optimized for those conditions. That's why it's so important to choose the right drive belt.

Always make sure you match any replacement drive belt to the requirements of your BRP vehicle's make & year of manufacture. While third-party and BRP drive belts are identical in size & shape, ours were designed to deliver the highest levels of performance & longevity based upon your vehicle's specific end-use and calibration.

WHAT MAKES OUR BELT STAND OUT?

One essential material stands among our drive belt components; aramid. Aramid, commonly used in the manufacture of drive belts, is a heat and abrasion resistant man-made fiber that improves the strength & durability of rubber.

- Top cog with special aramid fiber
- Adhesion rubber
- Specialized high-modulus aramid cord
- Compressive rubber with high-modulus PBO fiber
- Bottom cog with aramid fabric

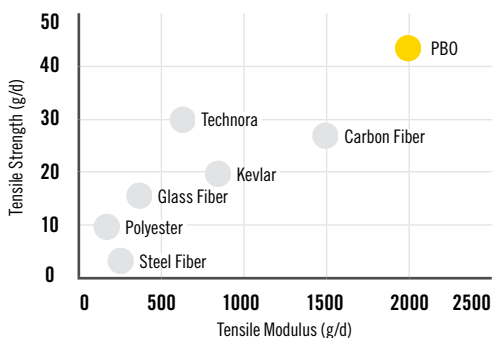
BRP BELT CONSTRUCTION VS. COMPETITORS

MATERIALS	BRAND A	BRAND A C12	BRAND B	BRP
Top Rubber Chopped Fiber	CR Aramid	CR Aramid	H-NBR Aramid/Cotton	CR Aramid
Upper Adhesion Rubber Chopped Fiber	CR	CR	H-NBR	CR
Cord	Aramid	Carbon	Aramid	Aramid
Lower Adhesion Rubber Chopped Fiber	CR	CR	H-NBR	CR
Bottom Rubber Chopped Fiber	CR Aramid	CR Aramid	H-NBR Aramid/Cotton	CR PBO Aramid
Bottom Fabric	Acrylic 1 ply	Acrylic 1 ply	CR Aramid/Cotton	Aramid/PET 1 ply

CR: Chloroprene Rubber

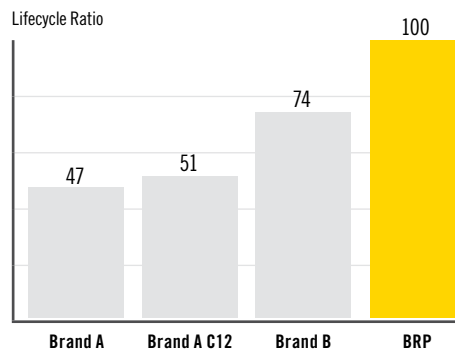
MODULUS & TENSILE STRENGTH

Based on BRP Dynamometer Testing



DURABILITY COMPARISON

When compared to BRP's Performance Drive Belt (100% PBO) (715900212).



Some products shown may not be available or homologated in your country. Contact your BRP dealer for local details.

XPS ENGINE OILS & MAINTENANCE PRODUCTS ⁷⁷

XPS IS A COMPLETE RANGE OF PERFORMANCE PRODUCTS DESIGNED TO PROTECT, ENHANCE, AND EXTEND THE LIFE OF YOUR BRP VEHICLE. EACH HAS BEEN RIGOROUSLY DEVELOPED, TESTED AND APPROVED. TAKE THE GUESSWORK OUT OF YOUR VEHICLE MAINTENANCE AND GET TRUE XPS PEACE-OF-MIND.

KYLE CHANEY
PROFESSIONAL CAN-AM RACER,
MULTI-TIME GNCC CHAMPION



XPS ENGINE OILS



XPS 4-STROKE SYNTHETIC OIL (0W40)

- The best all-year-long choice for any BRP vehicle with a 4-stroke engine.
- Full-synthetic formula made from premium oil base stocks.
- Performs consistently throughout a broad temperature range.
- Tested and proven by BRP engineers to offer the best engine protection where its use is specified.
- Easy cold starting.
- Protects against corrosion and rust.
- Ambient temperature operating range +40°C/+104°F to -45°C/-49°F.

1 quart / 946 ml	1 US gallon / 3.785 L
779139 (US)	779140 (US)
293600112 (EU)	293600115 (EU)
619590114 (Scandinavia)	619590115 (Scandinavia)



XPS 4-STROKE SYNTHETIC BLEND OIL (5W40)

- The warm-weather choice for any BRP vehicle with a 4-stroke engine.
- Synthetic blend formula made from premium oil base stocks.
- Performs consistently throughout a broad temperature range.
- Tested and proven by BRP engineers to offer the best engine protection where its use is specified.
- Wet clutch compatible.
- Protects against corrosion and rust.
- Ambient temperature operating range +40°C/+104°F to -35°C/-31°F.

1 quart / 946 ml	1 US gallon / 3.785 L
779133 (US)	779134 (US)
293600121 (EU)	293600122 (EU)
619590109 (Scandinavia)	619590112 (Scandinavia)



XPS 4-STROKE EXTREME COLD GRADE SYNTHETIC OIL

- BRP's Rotax 4-stroke engines that operate in northern latitudes will benefit from premium oil formulated for easier starting and ultimate cold flow.
- In temperatures down to -76°F/-60°C, XPS 4-Stroke Extreme Cold Grade Synthetic Oil flows fast from the sump to protect critical engine components at start-up.
- Formulated to maintain viscosity at operating temperature.

1 quart / 946 ml	1 US gallon / 3.785 L
779145 (US)	779146 (US)
293600154 (EU & Scandinavia)	293600155 (EU & Scandinavia)



NEW XPS PRODUCTS!

XPS MAINTENANCE PRODUCTS

XPS SYNTHETIC GEAR OIL

- XPS Synthetic Gear Oil uses a unique combination of synthetic base stocks and additives that allow higher loads, superior shear stability and reduced oxidation compared to other synthetics and conventional API GL-5 gear oils.
- Its tremendous thermal stability and relatively constant viscosity give exceptional wear protection and superior performance for excellent low-temperature characteristics and improved gear protection at higher temperatures.
- Contains specific additives custom matched to provide the best performance of the BRP limited slip differentials.
- Offers added assurance during extended drain intervals.
- Exceeds API GL-5 specifications.
- Provides excellent protection in nearly all differentials, conventional and limited slip.
- Recommended for use in all Can-Am off-road vehicles.
- 1 quart / 946 ml

75W-90
779158 (US)
293600043 (EU)
619590097 (Scandinavia)

75W-140
779160 (US)
293600140 (EU)
619590182 (Scandinavia)



XPS ANTI-CORROSIVE LUBRICANT

- A multipurpose lubricant that can also be used to prevent rust, corrosion and moisture intrusion.
- It contains extreme pressure additives that work as an all-around lubricant for just about anywhere lubrication is needed.
- 12 oz. / 340 g

779168 (US)
293600016 (EU)
619590093 (Scandinavia)



XPS SUSPENSION GREASE

- Designed to work specifically with the components found in Can-Am off-road vehicles suspensions.
- It is highly stable and offers optimal lubrication at both extreme cold and high temperatures while protecting suspension components from dirt and moisture, as well as corrosion under extreme washout conditions.
- 14 oz. / 397 g

779163 (US)
293550033 (EU)
619590193 (Scandinavia)



XPS PRE-MIXED ANTIFREEZE/COOLANT

- XPS Antifreeze/Coolant contains the correct dilution and the necessary additives to prevent corrosion and inhibit cavitation in BRP cooling systems.
- Long-life, 5-year formula specially formulated for BRP vehicles.
- Superior heat transfer.
- Ideal replacement for vehicles that normally use a 2-year antifreeze/coolant (green).
- 5 years (orange) - 1 quart / 946 ml

779150 (US)
219702685 (EU)
619590204 (Scandinavia)



XPS MAINTENANCE PRODUCTS

XPS FUEL STABILIZER

- Ethanol-compatible and will stabilize fuel in your tank to keep it from breaking down and causing hard starting, throttle hesitation and poor run quality.
- Ethanol attracts moisture, and this product contains powerful anti-corrosion additives to protect fuel system components.
- Prevents problems associated with E10 fuels.
- 8 oz. / 240 ml

779171 (US)
413408601 (EU)
619590096 (Scandinavia)



NEW XPS CARBURETOR CLEANER

- Complete fuel treatment specially formulated to prevent small engine problems caused by Ethanol-blended fuels.
- It removes fuel system gum and varnish that may have accumulated during storage, stabilizes fuel against breakdown for 12 months or more, and adds corrosion protection from moisture for short- and long-term storage.
- It also helps restore throttle response and easy starting.
- It can be used periodically to maintain fuel system integrity, keep carburetor jets clean, and also combat moisture problems caused by Ethanol-blended fuels to keep ferrous and soft metal parts clean and free of corrosion.
- 12 oz. / 355 ml

779172 (US)
779172 (EU & Scandinavia)



XPS CARBON FREE FUEL TREATMENT

- Combination of a fuel treatment and a fuel system cleaner that can be used periodically to restore lost starting or throttle performance, as well as maintain fuel system integrity and keep internal engine parts clean.
- It treats fuel for storage and addresses the moisture problems inherent in today's Ethanol-blended fuels, keeping ferrous and soft metal parts clean and free of corrosion.
- Uses patented, state-of-the-art additives.
- Cleans valves, sticky rings and combustion chamber.
- 12 oz. / 355 ml

779169 (US)
219702533 (EU & Scandinavia)



XPS BRAKE FLUID

- Meets or exceeds all DOT3 and DOT4 brake fluid requirements.
- High-temperature formula resists fade, and also conditions seals and o-rings in braking system.
- 12 oz. / 355 ml

779151 (US)
293600131 (EU)
293600131 (Scandinavia)



NEW XPS RACING BRAKE FLUID

- Exceeds DOT4 brake fluid requirements for extreme conditions and competition use.
- Extreme, 579-degree boiling point temperature is ideal for high-demand competition conditions to combat brake fade.
- 12 oz. / 355 ml

779152 (US)
779152 (EU)
779152 (Scandinavia)



NEW XPS HIGH PERFORMANCE SUSPENSION FLUID

- A synthetic, fade-free formula for servicing FOX® shocks.
- Specially formulated for high demand or racing application.
- Ultra high VI shock oil.
- Engineered viscosity for optimized performance with FOX® shocks valving.
- 12 oz. / 355 ml

779154 (US)
293600035 (EU)
619590194 (Scandinavia)



XPS CLEANERS

XPS SPRAY CLEANER & POLISH

- Features a water-based formula safe for all plastics.
- Rinse-free spray-on/buff-off formula.
- Protects against UV and ozone damage and resists dirt accumulation.
- It can be used on painted surfaces, fiberglass, chrome and plastics.
- 12 oz. / 340 g

219702844



XPS OFF-ROAD WASH

- A biodegradable non-toxic cleaner that removes mud and dried-on dirt from your off-road vehicle.
- Whether grimy from the track, the woods or the fields, this cleaner will leave your off-road vehicle sparkling.
- When used as directed, XPS Wash is safe for all off-road vehicle finishes.
- 32 oz. / 946 ml

219701702



XPS BRAKES & PARTS CLEANER

- A concentrated blend of solvents with a powerful blasting spray that effectively removes grease, grime, brake fluid and other contaminants from brake components and metal parts.
- Evaporates instantly and completely, leaving no residue to hinder performance.
- Contains no ozone depleters.
- 14 oz. / 397 g

219701776



XPS MICROFIBER TOWELS

- Made from extremely fine fibers whose soft surfaces have been perfected for use in drying and polishing.
- Won't harm delicate surfaces.
- Holds up to seven times its weight in water.
- Machine washable and reusable.
- Pack of 2.

219701759



CHART NEW TERRITORY

You know who you are.

You are among the few who dare to go off the beaten path. You are all about performance that goes beyond belief. Which is why you need products that go beyond expectations. XPS oils and lubricants answer the call. Specifically designed to optimize high performance, reliability and long engine life for Can-Am off-road vehicles, XPS was developed right alongside Rotax engines. Passing the highest levels of testing for an unparalleled experience in all conditions. Begin your journey at your BRP dealer.





Kyle Chaney
Professional Can-Am Racer,
Multi-time GNCC Champion

XPS