



can-am

CANAMSPYDER.COM

ACCESSORIES, RIDING GEAR & GENUINE PARTS

2019 CAN-AM SPYDER

# ACCESSORIES, RIDING GEAR & GENUINE PARTS

SPYDER. JOY OF THREE™ / 2019



INTERNATIONAL EDITION

can-am

XXXXXXXX

# CAN-AM ON-ROAD. INSPIRED BY YOU.

More than mere accessories, the Can-Am On-Road customization experience is part of a unique lifestyle. Transform, break free, and ride along the edge of comfort & excitement with a look & feel you can call your own.



## INTERNATIONAL EDITION

This catalog, global in nature, shares BRP's parts, accessories and clothing product offering. Some products may not be available in your country, due to different climates, local certifications and/or legal requirements. Contact your BRP dealer for local specifics.

As ever, we've gone further to ensure that everyone who wakes up mornings hoping to enjoy the Can-Am On-Road experience feels included. We count on the opinions of thousands of open-road enthusiasts. They power our innovation, and inspire us to create better, more compelling products.

Designed for men and women alike, we've got something for every rider and every style of ride. If it's comfort and fashion you're looking for, or simply want the ultimate in personalized style and performance, then you've arrived. It's all here, easy to understand and even easier to love. Can-Am On-Road: gear up for an unforgettable year of exploration and exhilaration.

We may build it, but it's fueled by your imagination. Welcome to the all-new, all-yours, ultra-enhanced Can-Am On-Road. Visit your preferred dealer and start enhancing your Can-Am Spyder experience.



## ACCESSORIES 2

### CUSTOMIZED VEHICLES

F3-S	6
F3	7
F3-T	8
F3 LIMITED	9
RT	36
RT LIMITED	37

### SPYDER F3 ACCESSORIES

UFIT SYSTEM	10
HANDLEBARS	11
BRAKE & SHIFTER LINKAGES	12
FOOTBOARDS & IDLER PULLEY	13
SEATS & BACKRESTS	14
WINDSHIELDS & WIND PROTECTION	17
CARGO & STORAGE	19
LIGHTS & ELECTRICAL ACCESSORIES	23
WHEELS	26
FENDERS	27
CUSTOM ACCESSORIES	28
DECALS	30
SHOCKS	31
SILENCERS	32

### SPYDER RT ACCESSORIES

HANDLEBARS & IDLER PULLEY	38
SEATS & BACKRESTS	39
WINDSHIELDS & WIND PROTECTION	40
CARGO & STORAGE	42
LIGHTS & ELECTRICAL ACCESSORIES	44
WHEELS	46
FENDERS	47
CUSTOM ACCESSORIES	48
SHOCKS & SILENCERS	50

### COVERS 56

## RIDING GEAR 54

MEN'S & LADIES' JACKETS	56
JACKET TECHNOLOGY	59
JACKETS	60
JACKETS - PLUS SIZE COLLECTION	64
TECHNICAL WEAR	66
RAIN GEAR & FOOTWEAR	67
HELMETS & ACCESSORIES	68
COMMUNICATION SYSTEMS	76
GLOVES & PROTECTIVE GUARDS	78
BAGS	79

## SPORTSWEAR 80

MEN'S	82
LADIES'	84

### BRP LIMITED WARRANTY 86

### SIZING CHART 87

## PARTS 88

## OILS & MAINTENANCE 90

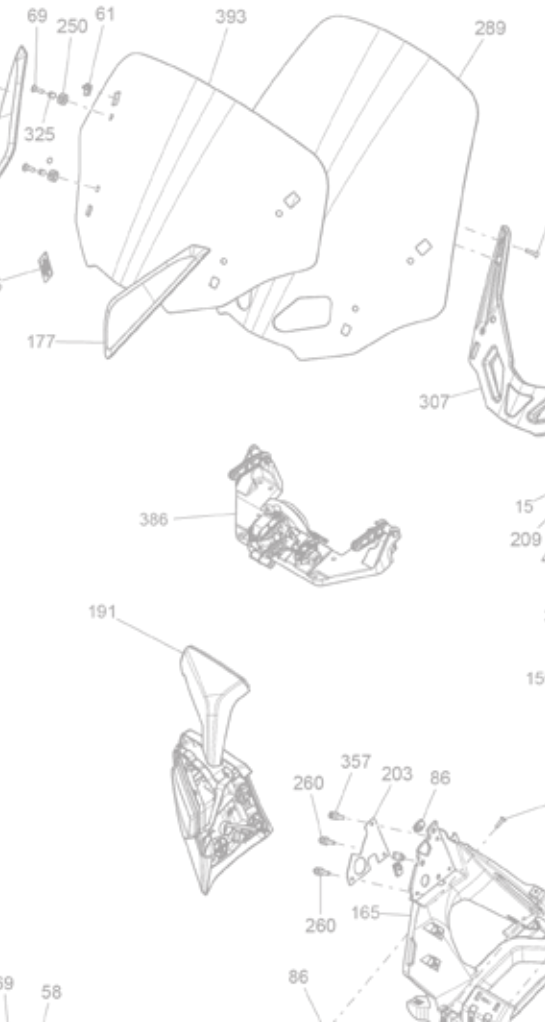
© 2018 Bombardier Recreational Products Inc. (BRP). All rights reserved. ®, ™ and the BRP logo are trademarks of BRP or its affiliates. 3M and SCOTCHLITE are trademarks of 3M Company, BLUETOOTH is a registered trademark of Bluetooth SIG, CLARINO is a trademark of Kuraray Co. Ltd, FOX and PODIUM are trademarks of FOX Racing Canada, HIPORA is a registered trademark of Kolon Industries, IPOD and IPAD are registered trademarks of Apple Inc, TEFLON is a registered trademark of E.I. DuPont de Nemours & Co, LEXAN is a registered trademark of SABIC Innovative Plastics Holding BV, PINLOCK is a registered trademark of Pinlock Group B.V, NCOM SYSTEM and NOLAN are registered trademarks of Nolan Helmets S.P.A, NGK is a registered trademark of NGK Spark Plugs Ltd, RAM is a registered trademark of RAM Mounting Systems Inc, SENA is a trademark of Sena Technologies, Inc, SILICONE is a registered trademark of Dow Corning Corporation, TECHNO GI is a trademark of TECHNOGI spa, VELCRO is a registered trademark of Velcro Industries, YKK is a registered trademark of YKK Corporation, YUASA is a registered trademark of Yuasa Batteries Inc, Brembo brake systems is a registered trademark of Brembo S.p.A, GARMIN and ZUMO are trademarks of Garmin Ltd, AKRAPOVIC EXHAUST SYSTEM TECHNOLOGY is a registered trademark of Akrapovic d.d. SHAD is a trademark of NAD S.L, CYCLOPS is a registered trademark of CyclopsGear, RoadThunder and MTX are registered trademarks of MTX Audio, Dgto is a registered trademark of Madison, a division of H Young Ltd. All other trademarks are the property of their respective owners. All vehicles presented in this brochure are fully accessorized and may differ from what is available in stores. Prices, if shown, are based on Manufacturer Suggested Retail Prices. Dealers may sell for a different price. For Canada & US taxes are not included. Depending on location, products are distributed by BRP US Inc., Bombardier Recreational Products Inc., BRP European Distribution SA, BRP Finland Oy, BRP Australia Pty Ltd., BRP Mexican Distribution, BRP Japan Ltd., BRP Brasil Motorsports LTDA or Bombardier Recreational Products Motores da Amazonia Ltda. BRP reserves the right, at any time, to discontinue or change specifications, prices, designs, features, equipment without incurring obligation.

# ACCESSORIES

Free spirit, adventurer, non-conformist. That's you. That's your ride. Define your own freedom. Rule the road on your terms. Customize, personalize, and revolutionize your ride, your way. That's Can-Am Spyder accessories.



**LOOK  
BEYOND  
THE  
ORDINARY.**



# F3

## ACCESSORIES

Fuel your imagination with accessories designed to enhance the dynamic, spirited ride of your Spyder F3. Tweak performance, create your own mix of cruiser-specific ergonomic options, or choose a distinctive look that shows your true colors.



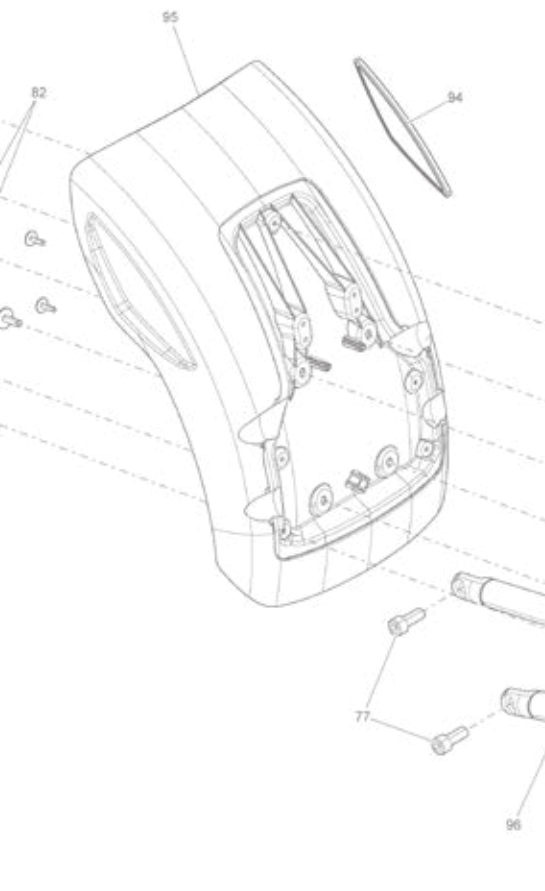
AUXILIARY LIGHTS 219400511



GAUGE SPOILER 219400531



FOX® ADJUSTABLE FRONT SHOCKS 219400733



ROADTHUNDER® SOUNDBAR BY MTX® 219400840



PASSENGER ARMRESTS 219400726

Let our customized versions of these Can-Am Spyder serve as inspiration for creating your own! How would you build yours?

## F3-S NITRO INSPIRED LOOK



## F3 DARK SHADOW INSPIRED LOOK



- 1 219400911 ATTITUDE HANDLEBAR
- 2 219400511 AUXILIARY LIGHT
- 3 219400701 AKRAPOVIČ<sup>®</sup> SINISTER SILENCER
- 4 219400357 15" TWIN-BLADE WHEELS
- 5 219400515 FOX<sup>®</sup> FACTORY SERIES 1.5 PODIUM<sup>®</sup> R FRONT SHOCKS  
(Not visible on the image above)

- 6 219400531 GAUGE SPOILER
- 7 219400713 HOOD STRIPES DECAL KIT
- 8 219400640 BOBBER KIT
- 9 219400840 ROADTHUNDER SOUNDBAR BY MTX<sup>®</sup>
- 10 219400599 SIGNATURE LIGHT

- 1 219400721 SHAD<sup>®</sup> SADDLEBAGS FOR CAN-AM
- 2 219400728 SHAD SADDLEBAGS F3 RACK  
(Not visible on the image above)
- 3 219400747 ROUTE 129 WINDSHIELD
- 4 219400498 DETACHABLE DRIVER BACKREST
- 5 219400595 SUPER SPORT GRILLE

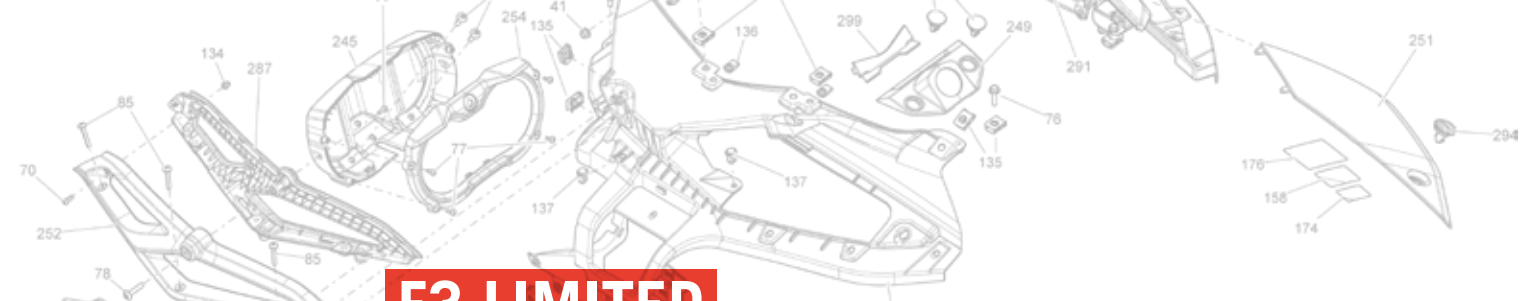
- 6 219400903 DRIVER FOOTBOARDS
- 7 219400910 LONG REACH HANDLEBAR
- 8 219400509 HEATED DRIVER GRIPS
- 9 219400731 SHAD SADDLEBAGS LINERS  
(Not visible on the image above)

Looking to personalize your Can-Am Spyder? Here is one of countless possibilities.

## F3-T ROAD CONQUEROR INSPIRED LOOK



- 1** 219400703 DETACHABLE PASSENGER BACKREST
- 2** 219400498 DETACHABLE DRIVER BACKREST
- 3** 219400497 CANNONBALL SEAT
- 4** 219400903 DRIVER FOOTBOARD
- 5** 219400901 PASSENGER FOOTBOARD
- 6** 219400645 REAR TAIL RACK
- 7** 219400509 HEATED DRIVER GRIPS
- 8** 219400365 15" RT FRONT WHEEL
- 9** 219400650 AKRAPOVIČ SPORT TOURING 3C SILENCER
- 10** 219400631 FRONT CARGO BAG  
(Not visible on the image above)



## F3 LIMITED WEEKEND WARRIOR INSPIRED LOOK CHROME EDITION



- 1** 219400547 CHROME STOCK HANDLEBAR
- 2** 219400904 CHROME DRIVER FOOTBOARD
- 3** 219400902 CHROME PASSENGER FOOTBOARD
- 4** 219400498 DETACHABLE DRIVER BACKREST
- 5** 219400606 DELUXE SADDLEBAGS LINERS  
(Not visible on the image above)
- 6** 219400511 AUXILIARY LIGHT
- 7** 219400726 PASSENGER ARMRESTS
- 8** 219400596 TALL BOY WINDSHIELD
- 9** 219400602 VINYL COAST-TO-COAST SEAT
- 10** 219400748 TOP CASE INNER BAG  
(Not visible on the image above)

# YOUR CAN-AM SPYDER. YOUR FIT.

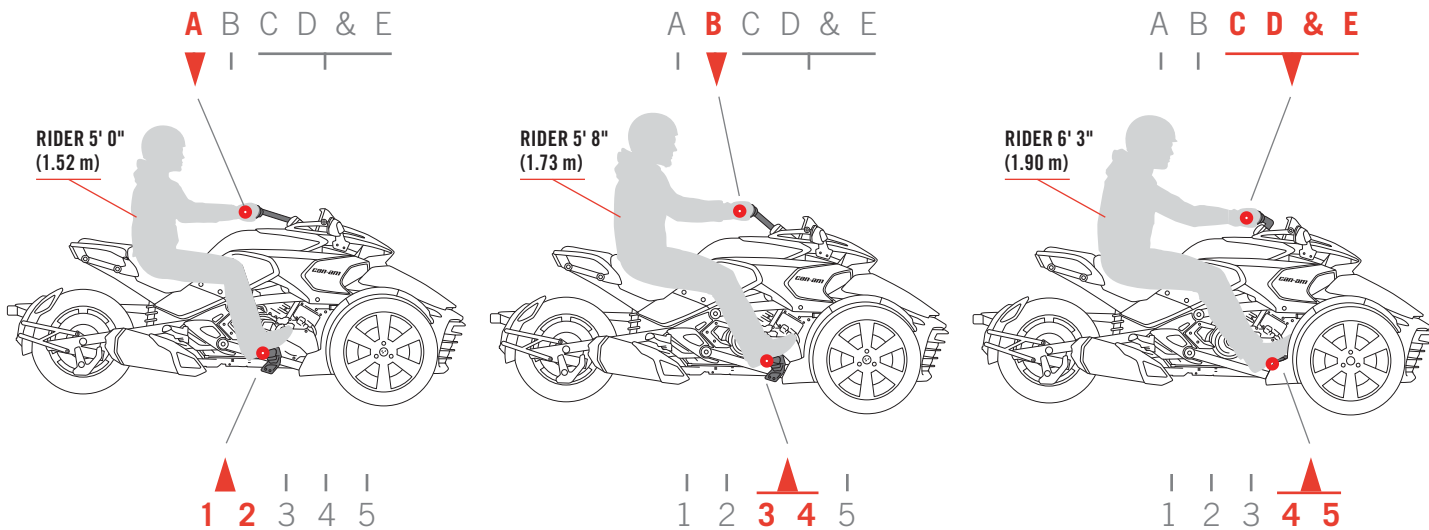


Five footpeg positions and five handlebar options to optimize your fit and comfort.

FIND YOUR PERFECT SPYDER FIT AT [UFITSYSTEM.COM](http://UFITSYSTEM.COM) OR VISIT YOUR DEALER TO TEST DRIVE AND ASK ABOUT THE SHOWROOM FIT TOOL.

All Spyder F3 models feature our exclusive UFit system so you can customize an exact fit based on your height or preferred riding style.

## CHOOSE FROM 5 HANDLEBAR OPTIONS



## CHOOSE FROM 5 FOOTPEG POSITIONS

Some products may not be available or homologated in your region. Contact your dealer for more information.



## HANDLEBARS UFIT SYSTEM



**POSITION A**  
**SHORT REACH HANDLEBAR**  
 · Part of the UFit System.  
 · Perfect for shorter riders with pegs positions 1 or 2.  
**All Spyder F3 models**  
 ■ 219400545 - Chrome (Clamp Kit included)  
 ■ 219400909 - Carbon Black



**POSITION B**  
**STOCK HANDLEBAR**  
 · Part of the UFit System.  
 · Same shape and reach as the stock handlebar with a chrome finish.  
 · Fits best with pegs positions 3 or 4.  
**All Spyder F3 models**  
 ■ 219400547 - Chrome (Clamp Kit included)



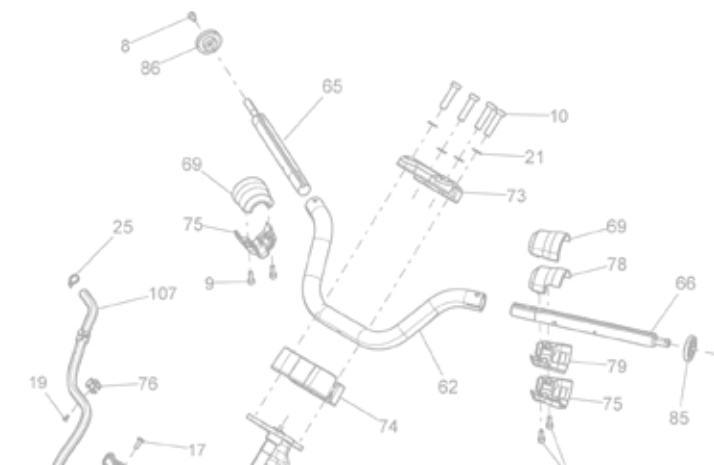
**POSITION C**  
**LONG REACH HANDLEBAR**  
 · Part of the UFit System.  
 · The longer reach causes the torso to lean forward, bringing the riding position closer to the console.  
 · Perfect for taller riders with pegs positions 4 or 5.  
**All Spyder F3 models**  
 ■ 219400548 - Chrome (Clamp Kit included)  
 ■ 219400910 - Carbon Black



**POSITION D**  
**ATTITUDE HANDLEBAR**  
 · Part of the UFit System.  
 · The shape has an impact on the driving position, leaning the torso towards the console and tilting the arm and wrist position.  
 · Perfect for taller riders with pegs positions 4 or 5.  
**All Spyder F3 models**  
 ■ 219400550 - Chrome  
 ■ 219400911 - Carbon Black



**POSITION E**  
**DRAG BAR**  
 · Part of the UFit System.  
 · Race-inspired straight bar is wide and more forward for a more aggressive riding position or tall drivers.  
 · Perfect for taller riders with pegs position 5.  
**All Spyder F3 models**  
 ■ 219400646 - Chrome (Clamp Kit included)  
 ■ 219400594 - Carbon Black





## BRAKE & SHIFTER LINKAGES



### BRAKE & SHIFTER LINKAGES

- Part of the UFit System.
- Find the best driving position for you.
- Replace stock linkage to set pegs to different positions.

#### All F3 SE6 models

- 2- Position 1 - 219400561
- 1- Position 2 - 219400563
- +1- Position 4 - 219400566
- +2- Position 5 - 219400571

#### All F3 SM6 models

- 2- Position 1 - 219400560
- 1- Position 2 - 219400562
- +1- Position 4 - 219400564
- +2- Position 5 - 219400565



Some products may not be available or homologated in your region. Contact your dealer for more information.



## FOOTBOARDS



### DRIVER FOOTBOARDS

- Replace stock pegs for additional comfort.
- Come with rubber pads and mounting hardware.
- Can be positioned with the UFit System.

#### All Spyder F3 models

- 219400904 - Chrome
- 219400903 - Carbon Black



### PASSENGER FOOTBOARDS

- Replace stock pegs for additional comfort.
- Come with rubber pads and mounting hardware.

#### All Spyder F3 models

- 219400902 - Chrome
- 219400901 - Carbon Black

## IDLER PULLEY

### F3 IDLER PULLEY SERVICE KIT

- (Not illustrated)
- Enhances your comfort on the road by reducing vibrations generated by the belt.

#### All Spyder F3 models

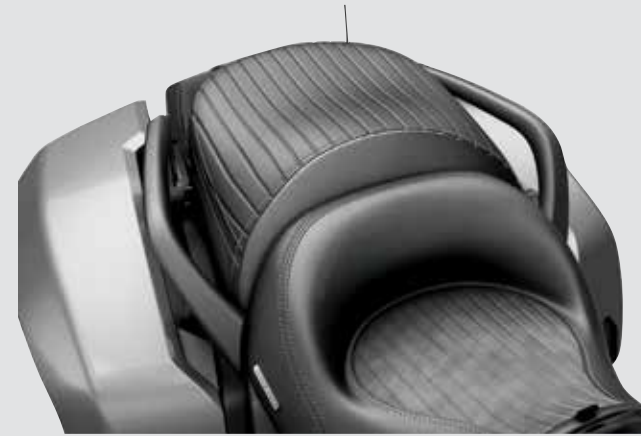
219800431





**INSTALLS  
IN SECONDS.**

## SEATS & BACKRESTS



### VINYL COAST-TO-COAST SEAT

- Long-distance comfort based on our renowned coast-to-coast design.
- Wide, well-shaped and generously padded driver and passenger seats deliver enough comfort for a coast-to-coast ride.
- Installs in seconds and works with both driver and passenger backrests.

**All Spyder F3 models**

■ 219400602 - Black



### LEATHER COAST-TO-COAST SEAT

- Genuine stitched-leather\* seat.
- Passenger and driver seats rain cover included.
- Installs in seconds and works with both driver and passenger backrests.
- Long-distance comfort based on our renowned coast-to-coast seat design.
- Wide, well-shaped and generously padded driver and passenger seats deliver enough comfort for a coast-to-coast ride.

\* Natural leather fades and wrinkles over time. Allow to air-dry when wet, apply leather-conditioning oil to maintain appearance. Clean with warm water, mild soap and a soft cloth. Use the included seat cover to keep your seat looking new longer.

**All Spyder F3 models**

■ 219400656 - Tan



**ADJUST UPWARDS,  
DOWNWARDS,  
FORWARDS,  
BACKWARDS,  
AND OUTWARDS.**



### PASSENGER ARMRESTS

- Adjust upwards, downwards, forwards, backwards, and outwards.
- Arm height provides up to 20 mm (0.78") vertical adjustment.
- Fully-compatible with RAM® cup holder.
- Complete with grip for added passenger security.
- Top Case not required for installation or use.
- Recommended to install with Top Case (219400897) or Passenger Backrest (219400794 or 219400703).

**All Spyder F3 models**

■ 219400726 - Black



### CANNONBALL SEAT

- 2-piece driver and passenger seats.
- Installs in minutes.
- Designed with additional padding, larger support areas and integrated comfort rear pad.
- Distinctive high-end stitching pattern.
- Driver backrest ready.

**All Spyder F3 models**

■ 219400497 - Black

### 2-UP CONVERSION KIT

(Not illustrated)

- Complete passenger kit to allow 2-up riding on 2019 F3 base.
- Includes passenger seat, pegs and handles.

**2019 F3 Base models**

219400975



**DETACHABLE DRIVER BACKREST**

- Generous width and height for superior lumbar support.
- Installs and removes in minutes.
- Tilt adjustable.
- Fits on production, Cannonball, Vinyl Coast-to-Coast and Leather Coast-to-Coast seats.
- Anti-theft feature.

**All Spyder F3 models**

■ 219400498 · Black



**DETACHABLE PASSENGER BACKREST**

- Generous width and height for superior lumbar support.
- Initial installation in minutes, toolless removal in seconds.
- Anti-theft feature.
- Fits on production, Cannonball, Vinyl Coast-to-Coast and Leather Coast-to-Coast seats.
- Invisible mounting system unrecognizable when not installed.

**Spyder F3, F3-S, F3-T**

■ 219400703 · Black



**PASSENGER SHORT RAIL**

- Sporty looking short passenger comfort rear pad.
- Doesn't fit when the Top Case with Integrated Passenger Backrest (219400897) is installed.
- Installs in minutes.
- Fits on production seats.

**Spyder F3, F3-S, F3-T**

■ 219400580 · Black



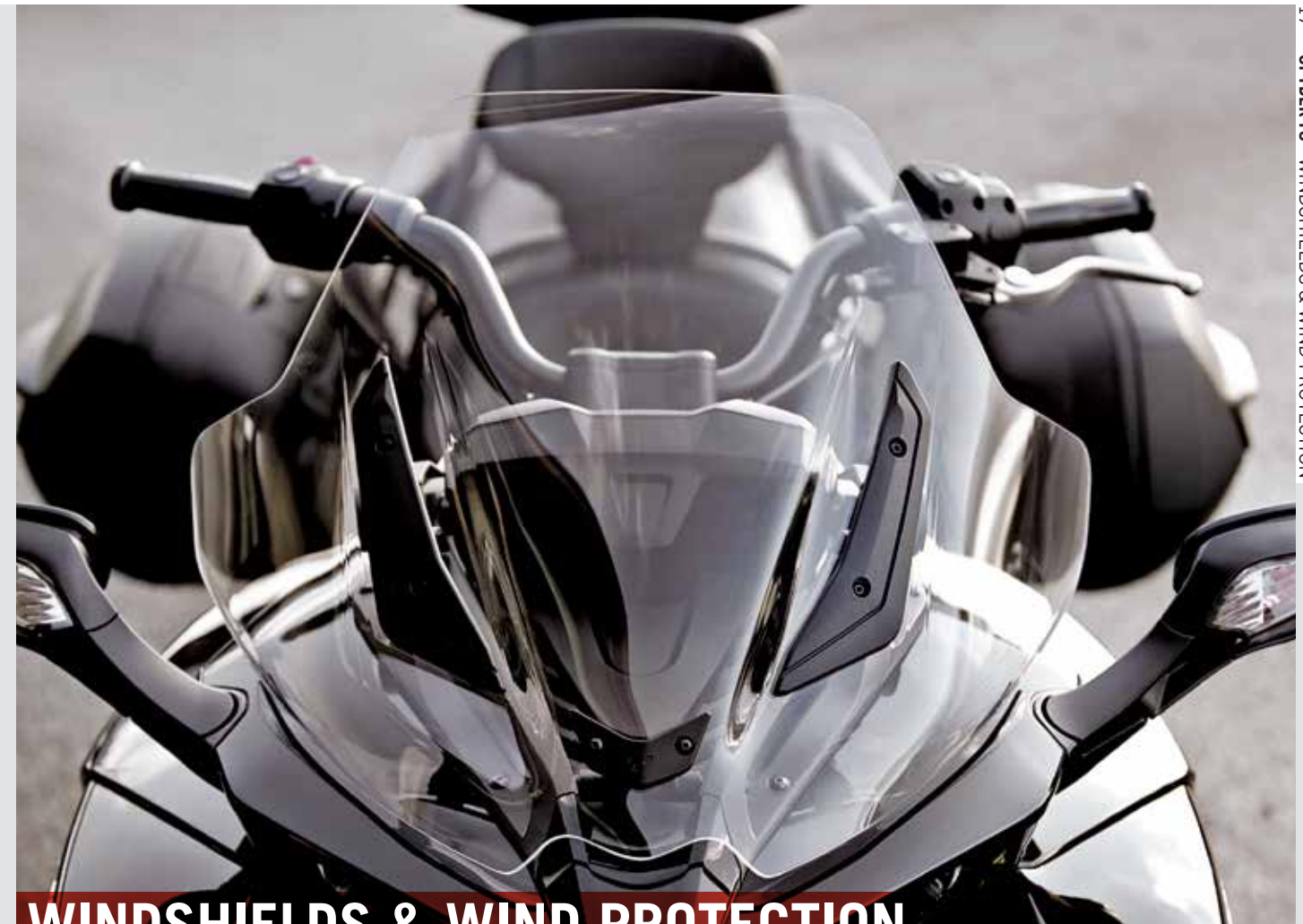
**ADJUSTABLE PASSENGER BACKREST**

- Dual axis adjustments for the backrest and cushion enable you to dial-in comfort and add up to 50 mm (2") more passenger room.

**Spyder F3, F3-S, F3-T**

■ 219400794 · Carbon Black

Some products may not be available or homologated in your region. Contact your dealer for more information.



**WINDSHIELDS & WIND PROTECTION**

**BLUE RIDGE WINDSHIELD**

- Made of clear 4.5 mm polycarbonate.
- Comes complete with supports and hardware.

**Spyder F3, F3-S**

□ 219400746 · Clear



Height  
54 cm (21.25")

**ROUTE 129 WINDSHIELD**

- Sport windshield.
- Made of 4.5 mm polycarbonate.
- Provides lower body protection.
- Comes complete with supports and hardware.

**Spyder F3, F3-S**

□ 219400747 · Clear



Height  
39 cm (15.5")



**GAUGE SPOILER**

- Enhances the sporty look of the Can-Am Spyder F3.
- Made of injected tinted polycarbonate.

**Spyder F3, F3-S**

■ 219400531 - Smoke

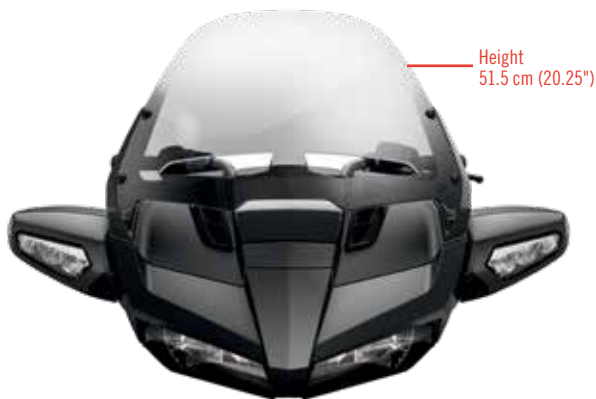


**WINDSHIELD TRIM KIT**

- Dresses up accessory windshield kits with chrome center trim.
- Looks great with Windshield Trims (219400355).

**Fit with Blue Ridge Windshield (219400746) and Route 129 Windshield (219400747)**

■ 219400698 - Chrome



Height  
51.5 cm (20.25")

**TALL BOY WINDSHIELD**

- Mid-height windshield.
- Scratch and UV-resistant hardcoat on 5 mm polycarbonate shield.
- Windshield supports included.

**Spyder F3-T, F3 Limited**

□ 219400596 - Clear

Can-Am Spyder accessories are subject to the same rigorous physical testing requirements as the vehicles.



# SHAD

FOR *can-am*

BRP partners with SHAD<sup>†</sup>, a recognized leader in the manufacture of high-advanced motorsport bags and storage accessories.

Their designs are known to be the state-of-the-art, totally functional and of first class quality, which have earned them the prestigious international "Red Dot: Best of the Best" award in 2015.



## CARGO & STORAGE

**SHAD SADDLEBAGS FOR CAN-AM**

- Patented lightweight bike-specific design.
- 3-point mount.
- Waterproof, shock-resistant.
- 36-liter (9.5 US gallons) capacity.
- Enough room for a 2XL full face helmet equipped with a communication system.
- Unique Can-Am reflector.
- Required mounting support and hardware are sold separately (219400728).
- Required mounting support for Europe (219400727).

**Spyder F3, F3-S**

■ 219400721 - Black



**SHAD REAR SEAT BAG**

- 100% waterproof 3-layer (PVC-Nylon-PVC) design that's tear and abrasion resistant.
- 28-liter (7.4 US gallons) capacity.
- Foam-lined inner compartment for laptop or other valuables.
- Includes attachment straps.
- Converts to backpack, complete with chest strap.

**All Spyder models**

■ 219400730 - Black



**SHAD SADDLEBAGS F3 RACK**

(Not illustrated)

- Custom rack specially designed for mounting SHAD Saddlebags (219400721).
- Integrated red reflectors and necessary hardware for SHAD Saddlebags.

**Spyder F3, F3-S**

■ 219400728 - Black  
■ 219400727 - Black · Europe (Amber reflectors) EC compliant

**SHAD SADDLEBAGS LINERS**

- Designed expressly for SHAD Saddlebags (219400721) to provide extra convenience.
- Include integrated carrying handle and a shoulder strap.
- Sold in pairs.

**Spyder F3, F3-S**

■ 219400731 - Black





**CROSS-COUNTRY DETACHABLE SADDLEBAGS**

- Add a total of 50 liters (13 US gallons) of storage space.
- Finished in high-end vinyl and with a metal chrome side hinge.
- Water-resistant and top loading, lockable with key.
- Toolless installation and removable in seconds after initial installation.
- Brackets are invisible when bags are not on.
- Bolts 250000869 needed to install 2015 Cross-Country Detachable Saddlebags (219400492 and 219400590 (EC)) on 2016 models.

**Spyder F3, F3-S 2016 & up**

- 219400696 - Black
- 219400697 - Black - Europe (Amber light) - EC compliant



**DELUXE SADDLEBAGS LINERS**

- Complete your production saddlebags with Deluxe Saddlebags Liners.
- The easiest way to carry your items from your Can-Am Spyder saddlebags, with integrated handle.

**Spyder F3-T, F3 Limited**

- 219400606 - Black



**FRONT CARGO BAG**

- Easy way to organize and tote your items in the front cargo compartment.
- Slides in and out with integrated handle and shoulder strap.

**All Spyder F3 models**

- 219400631 - Black



**CROSS-COUNTRY SADDLEBAGS LINERS**

- Soft travel bags for use inside the Cross-Country Detachable Saddlebags (219400696, 219400697 EC).
- Integrated handle for easy transport.
- Sold in pairs.

**Spyder F3, F3-S**

- 219400609 - Black



**LOCK KIT FOR CROSS-COUNTRY DETACHABLE SADDLEBAGS**

- (Not illustrated)
- Replacement lock and key for Cross-Country Detachable Saddlebags (219400696, 219400697 EC)

**Spyder F3, F3-S (service kit)**

- 219400737



**TOP CASE WITH INTEGRATED PASSENGER BACKREST**

- Fits up to two 2XL full face helmets including communication system.
- Integrated passenger backrest.
- Protective rubber carpet-lined bottom.
- Required vehicle color matching side panels to complete the top case assembly - sold separately.
- Top Case Speakers Amplifier Kit (219400769) is required to play music through top case speakers.

**Spyder F3-T 2018 and prior**

- 219400897 - Black
- 219400898 - Black - Europe - EC certified

**TOP CASE PANEL KIT**

- Vehicle-matched top case side panels.

**Spyder F3-T with Top Case**

- 219400758 - Steel Black Metallic
- 219400759 - Pearl White
- 219400760 - Intense Pearl Red
- 219400761 - Pure Magnesium
- 219400859 - Oxford Blue Metallic

**TOP CASE RACK**

- Allows for added external storage capacity when used with netting or bungee cords.
- Sturdy stamped-aluminum construction.
- Includes integrated anchor points.

**Spyder F3-T with Top Case, F3 Limited 2017 and up**

- 219400743 - Black



**TOP CASE INNER BAG**

- Maximizes top case volume.
- Complete with integrated handle and shoulder strap for convenient portability.

**Spyder F3-T with Top Case, F3 Limited 2017 and up**

- 219400748 - Black



**TOP CASE SPEAKERS AMPLIFIER KIT**

- (Not illustrated)
- Amplifier kit is required to play music through top case speakers.
- Connects to the standard front audio system.
- Includes amp harness and hardware.

**Spyder F3-T 2016-2017 with Top Case**

- 219400769



**URBAN RACK**

- Solid aluminum construction offering 3.37 liters (0.9 US gallon) of water-resistant storage.
- Comes with net to allow users to strap additional luggage on top.
- Pops into passenger seat space in seconds.
- Anti-theft feature.

**Spyder F3, F3-S**

219400493 · Carbon Black



**F3 MONO SEAT COWL**

- High quality injection-molded part.
- Pops into passenger seat space in seconds.
- Transforms your vehicle into sporty solo configuration.
- Adds 4.73 liters (1.25 US gallons) of lockable water-resistant storage.

**Spyder F3, F3-S**

219400494 · Steel Black Metallic



**INTEGRATED HELMET BAG**

- Truly integrated easy-to-use helmet storage solution.
- Sturdy water-resistant construction.
- Includes elastic straps for tying down helmet bag onto seat.
- Complete with anti-theft wire for added security.

**All Spyder RT & F3 models**

219400850 · Black

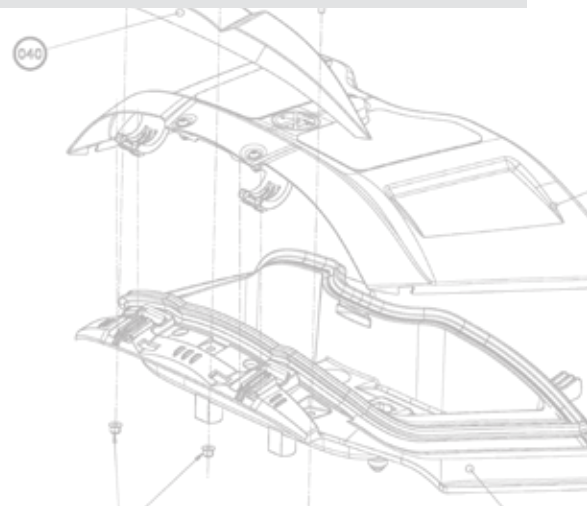


**REAR TAIL RACK**

- Robust monobloc cast-aluminum construction.
- Ideal for stowing soft bags, tents, or sleeping bags.
- Includes convenient integrated anchor points.
- Bolts securely to the vehicle frame.

**Spyder F3-T, F3 Limited 2016**

219400645 · Black



**LIGHTS & ELECTRICAL ACCESSORIES**



**ENHANCE LOW BEAM LIGHT FOR BETTER VISIBILITY.**



**AUXILIARY LIGHTS**

- Halogen fog lamps.
- Enhance low beam light for better visibility.
- Plug-and-play with stock harness.

- Integrated ON/OFF switch.
- Not EC compliant.

**All Spyder F3 models**

219400511



**HEATED DRIVER GRIPS**

- Complete heating kit with one intensity setting.
- Easy installation.
- Integrated ON/OFF switch.

**Spyder F3, F3-S, F3-T**

219400509 · Black





#### ROADTHUNDER SOUNDBAR BY MTX®

- Bluetooth® speaker with the unbeatable convenience of fingertip control.
  - Rugged IP66-rated weather-resistant speaker designed for outdoor use.
  - Driven by 150 watts of quality audio power.
  - Seamless integration and operation from Bluetooth enabled devices.
  - Includes: input, ground and ignition wires, plus auxiliary port and 3.5" connector cable.
- Note: We recommend you to use 320 Kbps MP3 - 192-256 Kbps AAC or AIFF, WAV formats to match the potential of the speaker. More compressed formats will probably have degraded sound quality.

**Spyder F3, F3-S**  
219400840



Zumo 590 GPS has the ability to link itself wirelessly to optional Garmin tire pressure sensors and the Garmin Virb video camera for enhanced GPS functionality.

#### GARMIN® ZUMO® 590 GPS

- Features a glove-friendly and sunlight-readable 12.7 cm (5") dual-orientation touchscreen display.
- Offers hands-free phone control and spoken directions heard in-helmet via Bluetooth® 5 technology.
- Includes a MP3 player.
- iPod® and Pandora® compatibility.
- Allows control of music right on the display.
- Rugged and tough enough to withstand fuel spills, UV rays and harsh weather.
- Offers access to real-time weather and traffic information via the smartphone link app.
- Free lifetime map updates.
- Curvy Roads Routing allows rider to find winding roads.
- GPS Holder (219400912) sold separately.

#### All Spyder models

219400512  
219400699 - Europe

Some products may not be available or homologated in your region. Contact your dealer for more information.



COMES WITH  
8 MOUNTING  
ACCESSORIES.

#### CGX3 CAMERA

- 160° wide angle lens.
- Resolution options: from 3MP up to 20MP and VGA.
- Video resolutions available: 2.7K at 30 frames per second (FPS), 720P at 120/60/30 FPS, 1080P at 60/30 FPS and VGA at 240 FPS.
- Memory: Class 10 32GB micro SD card.
- 5 cm (2") capacitive touchscreen.
- Li-ion battery capacity of 1050mAh, working time of 1/1.5 hours and charging time of 3 hours (2 batteries included).
- WiFi function remotely operates up to 15 m (49.2') with mobile devices and CYCLOPS app for Android and IOS.
- Waterproof up to 10 m (32.8') without a case.
- Features modes such as invert, time lapse, high speed & loop recording, motion detection, capture (while recording a video), burst and anti-sharing.
- Comes with 8 mounting accessories.

9700130090



#### POWER OUTLET KIT

- Recharges your electronic devices while riding\* (smartphone, MP3, heating gear, etc.).
  - Dual port USB connectors.
  - Plug-and-play kit.
  - Simply connect under driver seat and use.
- \*The power outlet is not capable of recharging all device types while riding.

#### All Spyder RT models, RS, ST, F3, F3-S

##### 219400510 - USB

- Adds an extra 12V power outlet to your vehicle.
- Conveniently located in front cargo bin.

#### All Spyder models

219400366 - 12V



#### GARMIN ZUMO GPS HOLDER

- Positions Garmin Zumo GPS on the center of all UFit System handlebars.
- Wiring/charging harness included.
- Incompatible with the Roadthunder Soundbar by MTX (219400840).

#### All Spyder F3 models

219400912



#### CYCLOPS® 360° PANORAMIC HD VIDEO CAMERA

- Features a 220-degree wide-angle lens.
- Video resolutions up to 4K at 30 frames per second.
- Professional 16MP quality photos.
- Rugged, light and portable.
- Magnetic mount for vibration-free footage and mounting to any metal surface.
- Comes with 32GB Class 10 micro SD card.
- Waterproof case up to 50 m (164').
- Wi-Fi available to remotely control your camera from your smartphone or computer with the free CGX2 App.
- 16 modes and effects, including driving mode, loop recording, time lapse and slow motion.
- Comes with 10 mounting accessories.
- Compatible with VR goggles.

9700020090



#### F3-T FRONT RADIO SYSTEM

- Upgrades sound, 2 woofers speakers and 2 mids (4X20 watts), USB plugs, aerial and hardware included.

#### Spyder F3-T, F3 Limited 2016

219400680



#### GPS HOLDER (WITHOUT HARNESS)

(Not illustrated)

#### All Spyder F3 models

219400717

#### GARMIN ZUMO GPS HOLDER (WITHOUT HARNESS)

(Not illustrated)

#### All Spyder F3 models

219400913

#### BOLTS KIT FOR GPS HOLDER

(Not illustrated)

- Required to fit Garmin Zumo GPS Holder (219400913) on Drag Bars (219400646, 219400594).

#### All Spyder F3 models

219400655

#### GPS HOLDER

- Sits high on right side handlebar for optimum visibility.
- Multidirectional adjustment to prevent sunglare and adapts to any rider.
- Harness included.

#### All Spyder F3 models

219400749



# WHEELS



### 15" FAT 6 CHROME WHEELS

- Same design as Spyder F3 production wheels in PVD finish.
- Sold in pairs.

**All Spyder F3 and RT models, RS, ST 2013 and up**  
 ■ 219400589 - Chrome



### 15" BONNEVILLE DISH WHEELS

- Give your Can-Am Spyder a retro look with these 15" wheels inspired by Salt Flat racers.
- Wheel nuts are hidden behind the center cap.
- Sold in pairs.

**All Spyder F3 and RT models, RS, ST 2013 and up**  
 ■ 219400501 - Black



**WHEEL NUTS ARE HIDDEN BEHIND THE CENTER CAP.**



### 15" SHAMROCK WHEELS

- Add personality to your Can-Am Spyder.
- Casted, painted and machined wheels.
- Sold in pairs.

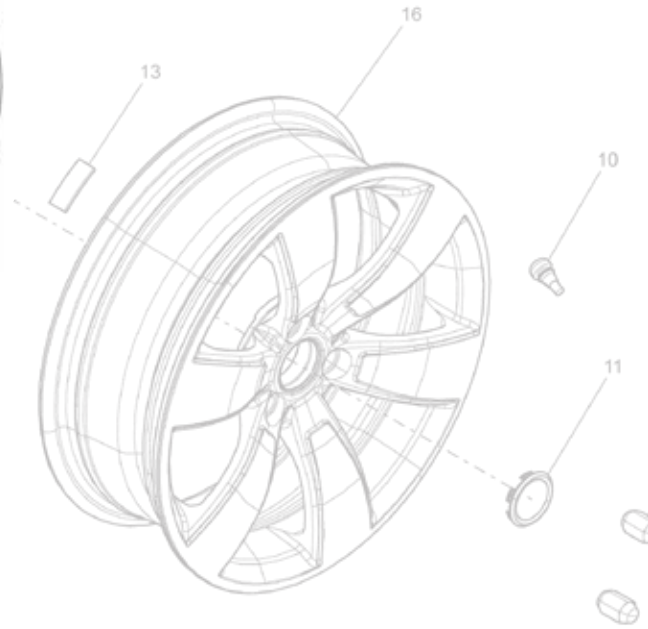
**All Spyder F3 and RT models, RS, ST 2013 and up**  
 ■ 219400500 - Deep Black



### CHROME REAR WHEEL

- 6-spoke PVD – chrome-like powder-coat, more resistant than regular chrome – monobloc rear wheel (hub and wheel in one piece).

**All Spyder F3 and RT models, RS, ST 2013 and up**  
 ■ 219400574 - Chrome



### 15" BLADE MAG WHEELS

- Unidirectional design (left and right wheel).
- Patented casting process allows a weight reduction of 1 kg (2.2 lb) per wheel compared to stock wheels.
- Sold in pairs.

**All Spyder F3 and RT models, RS, ST 2013 and up**  
 ■ 219400465 - Black



### 15" RT FRONT WHEELS

- 15" 12-spoke mags.
- Sold in pairs.

**All Spyder F3 and RT models, RS, ST 2013 and up**  
 ■ 219400365 - Grey  
 ■ 219400419 - Carbon Black

### 15" BLADE MAG WHEELS SERVICE KIT

- (Not illustrated)
- Replacement "blade" for wheels.
- 219400542 - Left - Brushed Aluminum
- 219400543 - Right - Brushed Aluminum



# FENDERS

### CHOPPED REAR FENDER

- Sleek, short fender shows off the massive Spyder F3 rear tire.
- Street legal and includes license plate holder, LED light and required hardware.
- License plate holder not compliant outside North America.

**Spyder F3, F3-S**  
 ■ 219400597 - Carbon Black



### LOW BROW FRONT FENDERS

- Super sleek drawn steel fenders with LED position lights integrated into the front edge.
- Include electrical harness and required hardware.
- Sold in pairs.
- LED position lights not EC compliant.

**All Spyder RT models, RS, ST 2013 and up, all Spyder F3 models 2018 & prior**  
 ■ 219400502 - Carbon Black





**EVERYTHING NEEDED  
TO TRANSFORM  
A 2-UP INTO A 1-UP.**

**CUSTOM ACCESSORIES**

**BOBBER KIT\***

- Everything needed to transform a 2-up into a 1-up.
- Rear fender, tail light assembly, footrest trim, license plate support, and all necessary hardware included.
- Can also accommodate any production or accessory seat.
- \* - A bobbed tail increases the amount of projection from the rear tire versus a traditional fender.
- Laws vary state to state regarding rear fender tire coverage compliance. Please obey all applicable laws and regulations.

**Spyder F3, F3-S**

- 219400640 - Black
- 219400745 - Black - Europe - EC compliant (Doesn't include rear fender and licence plate support)



↓  
A bobber, originally called a 'bob-job' from the 1930s through 1990s, is a style of custom motorcycle. The typical construction includes stripping excess bodywork from a motorcycle, and shortening the rear fender, which is "bobbed" (as in bob-tail).

Some products may not be available or homologated in your region. Contact your dealer for more information.

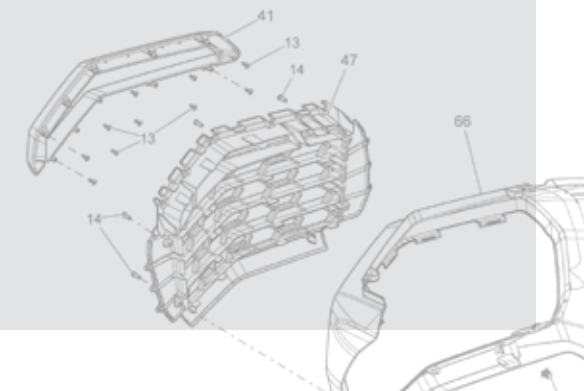


**SUPER SPORT GRILLE**

- Adds an even more muscular look with this honeycomb-styled front grille with integrated front splitter.

**All Spyder F3 models**

- 219400595 - Black / Can-Am Red



**PULLEY COVER**

- Replaces the stock plastic PTO (drive pulley) cover with a genuine chrome cover.

**All Spyder F3 models**

- 219400557 - Chrome



**TMC COVER**

- Replaces the stock plastic TMC (master cylinder) cover with a genuine chrome cover.

**All Spyder F3 models**

- 219400559 - Chrome



**FRAME CAPS**

- Add a little bling to the frame of your vehicle.
- 4 frame caps per pack.

**All Spyder F3 models**

- 219400555 - Chrome



**HANDLEBAR END CAPS**

- Sold in pairs.

**All Spyder models**

- 219400702 - Chrome







**SIGNATURE LIGHT**

- Creates an unmistakable, distinctive look.
- No switch, automatically turns on.
- Includes required wiring and hardware for Spyder F3 2016 models and up.
- Not EC compliant.

All Spyder F3 models

219400599 - White

**SIGNATURE LIGHT - 2015 ADAPTER KIT**

- (Not illustrated)
- Wiring harness required for installing Signature Light (219400599) on 2015 models.
- Allows the light to automatically illuminate when the engine is running.
- LED lights.

Spyder F3, F3-S 2015

219400636 - Black



**DECALS**



**HOOD STRIPES DECAL KIT**

- Adds personality to your Can-Am Spyder F3.

All Spyder F3 models

219400711 - Can-Am Red  
 219400714 - Gloss White  
 219400713 - Matte Black  
 219400712 - Satin Silver



**F3 MONO SEAT COWL STRIPES DECAL KIT**

- Premium decals complement Hood Stripes Decal Kit.

Spyder F3, F3-S

219400661 - Can-Am Red  
 219400662 - Gloss White  
 219400663 - Matte Black  
 219400664 - Satin Silver



**REAR TAIL STRIPES DECAL KIT**

- Premium decals complement Hood Stripes Decal Kit.

Spyder F3-T, F3 Limited 2016

219400665 - Can-Am Red  
 219400666 - Gloss White  
 219400667 - Matte Black  
 219400668 - Satin Silver

**SHOCKS**



FOX' shocks have been an industry leader in high-performance shocks and racing suspensions for over 30 years.

**FOX ADJUSTABLE FRONT SHOCKS**

- Features spring-adjustable preload and wide-range externally-adjustable rebound damping for an infinite array of tuning options made to suit any riding style.
- Whether it's smooth cruising or twisting down your favorite winding road they deliver exceptional performance, comfort, and a superior quality ride.

Spyder F3-T, F3 Limited

219400733



**FOX FACTORY SERIES 1.5 PODIUM R FRONT SHOCKS**

- Featuring spring-adjustable preload and a wide range of externally adjustable rebound damping, the PODIUM R shocks provide an infinite array of tuning options to comfortably suit your riding style.
- Whether you're out for a mellow cruise or enjoying your favorite twisty route, the PODIUM R shocks will deliver superb performance, great comfort, and an overall quality ride.

Spyder F3, F3-S

219400515



**FOX FACTORY SERIES 2.0 PODIUM RC2 REAR SHOCK**

- Provides an infinite range of options for the perfect set-up.
- Its anodized 6061-T6 aluminum body and remote aluminum reservoir make the lightweight PODIUM RC2 shock a reliable and awesome performer.

Spyder F3, F3-S

219400577



**FOX ADJUSTABLE REAR SHOCK**

- FOX Factory Series rear shock delivers an infinite range of set-up options.
- Anodized lightweight 6061-T6 aluminum body provides enhanced reliability and excellent performance.

Spyder F3, F3-S

219400734



**AUTOMATIC REAR AIR SUSPENSION KIT**

- Automatic suspension assures a smooth, comfortable ride.
- Includes air compressor and all required hardware.

Spyder F3-T, F3 Limited

219400738



**OCCASIONAL 2-UP REAR SHOCK**

- Weight-bearing capacity designed for occasional 2-up use.

Spyder F3, F3-S

219400739

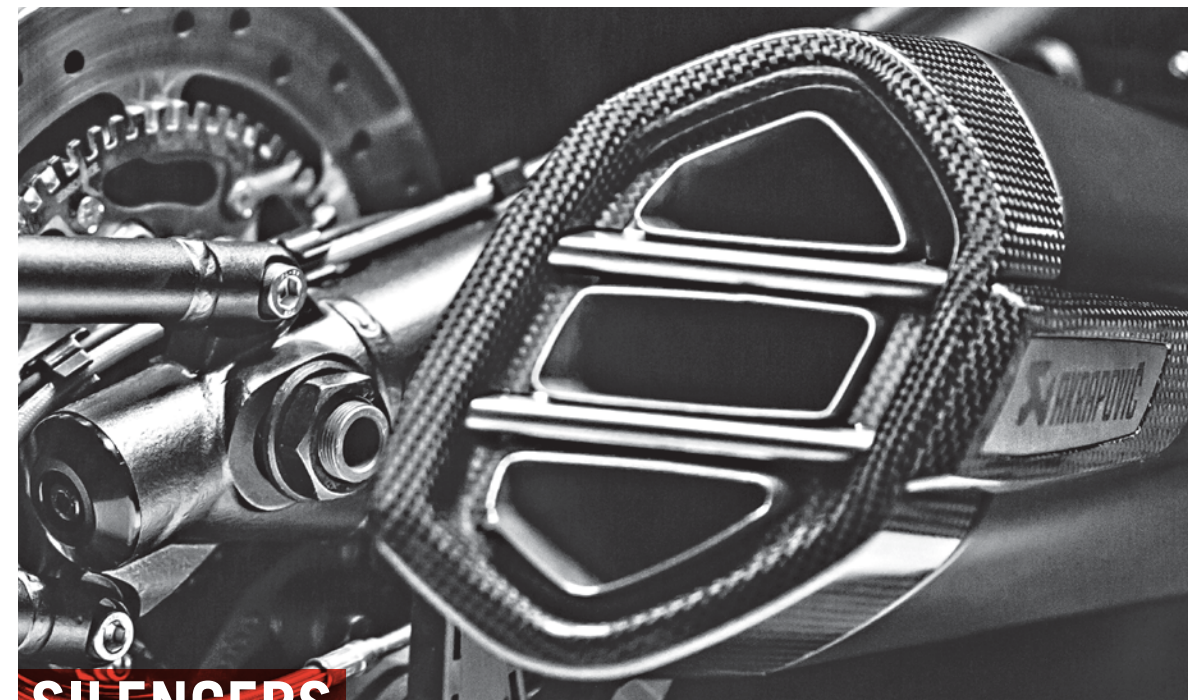
# UPGRADE YOUR GROWL

## AKRAPOVIČ SILENCERS TOP FEATURES

- Deeper, more guttural sound than stock silencer.
- Meet the most stringent standards - EPA, CARB & EC certified.
- Maintain vehicle warranty requirements.
- Easy installation.
- Exhaust fit compatible with all BRP genuine accessories.



Some products may not be available or homologated in your region. Contact your dealer for more information.



## SILENCERS

### AKRAPOVIČ SINISTER SILENCER

- 3-outlet design exclusive to Can-Am.
- Finished in bold flat black carbon & stainless steel.
- Unique Akrapovič growl.
- Akrapovič Sinister Silencer Heat Shield Replacement Kit available (219400766).
- Not AS certified.

Spyder F3, F3-S

219400701 - Black



### AKRAPOVIČ STRAIGHT SHOT SILENCER

- Premium chromed stainless steel shell construction, end cap and heat shields.
- Not AS certified.

Spyder F3, F3-S 2015 and up (Europe: 2015-2017 only)

219400514 - Chrome



### AKRAPOVIČ SPORT TOURING 3C SILENCER

- Set your ride apart with the dynamic, deep resonant sound of an Akrapovič silencer.
- Its premium titanium and carbon fiber construction is 55% lighter than stock model and it's been tested to meet the most stringent requirements.
- Not AS certified.

Spyder F3-T, F3 Limited, RT 2015 and up

219400650 - Titanium - Canada / US

219400838 - Titanium - Other countries



### AKRAPOVIČ SINISTER SILENCER HEAT SHIELD REPLACEMENT KIT

(Not illustrated)

Spyder F3, F3-S (service kit)

219400766

### AKRAPOVIČ STRAIGHT SHOT SILENCER HEAT SHIELD REPLACEMENT KIT

(Not illustrated)

Spyder F3, F3-S

219400629

### AKRAPOVIČ STRAIGHT SHOT SILENCER END CAP

(Not illustrated)

Spyder F3, F3-S

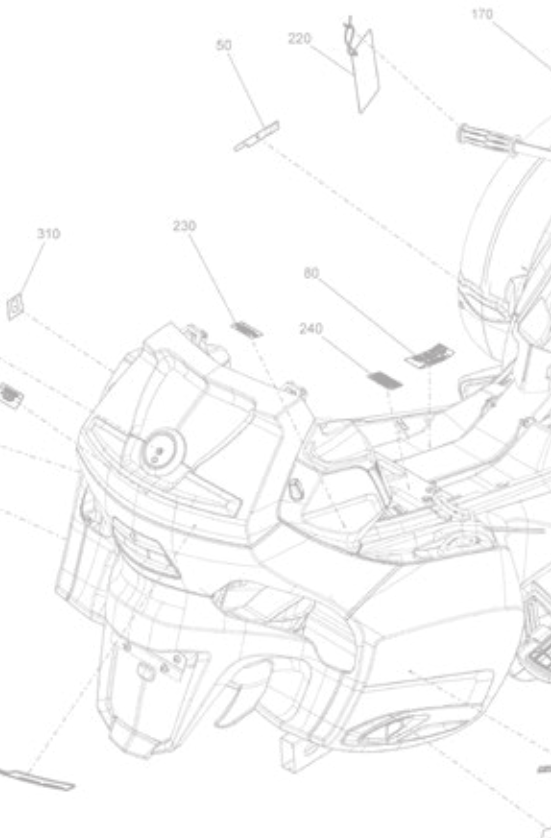
219400630

Akrapovič was established in 1990 by Slovenian racer Igor Akrapovič who had found that during his racing career there was a distinct lack of high-quality exhaust systems on the market to the public.

# RT

## ACCESSORIES

Cover the distance from ordinary to extraordinary more smoothly & comfortably with accessories designed for epic rides and endless open-road freedom. Customizing your Spyder RT luxury touring experience begins here. Adventure, made better.



ADJUSTABLE SIDE WIND DEFLECTORS 219400362



TRI AXIS ADJUSTABLE HANDLEBAR 219400344



LOW BROW FRONT FENDERS 219400502



TOURING WINDSHIELD 219800199

There are a thousand ways to trick out a Can-Am Spyder. Take a look at ours and let your imagination run wild.

## RT LONG-HAUL ADVENTURE INSPIRED LOOK

## RT LIMITED GLOBETROTTER INSPIRED LOOK DARK EDITION



- 1 219400360 **ADJUSTABLE VENTED WINDSHIELD**
- 2 219400420 **15" RT & ST LIMITED EDITION CHROME FRONT WHEEL**
- 3 219400650 **AKRAPOVIČ SPORT TOURING 3C SILENCER**
- 4 219400265 **PASSENGER FOOTBOARDS**
- 5 219400291 **MIRROR ACCENTS**

- 6 219400679 **ADJUSTABLE DRIVER BACKREST**
- 7 219400368 **FRONT CARGO LINER**  
(Not visible on the image above)
- 8 219400321 **TOP CASE MIRROR**  
(Not visible on the image above)
- 9 219400839 **RT PASSENGER ARMRESTS**

- 1 219400839 **RT PASSENGER ARMRESTS**
- 2 219400344 **TRI AXIS ADJUSTABLE HANDLEBAR**
- 3 219400457 **COMFORT SEAT**
- 4 219400689 **ADJUSTABLE DRIVER BACKREST FOR COMFORT SEAT**
- 5 219400246 **TOP CASE MOLDED INSIDE LINER**  
(Not visible on the image above)

- 6 219400502 **LOW BROW FRONT FENDERS**
- 7 219400854 **TRAILER HITCH KIT AND CONTROL MODULE**
- 8 219400362 **ADJUSTABLE SIDE WIND DEFLECTORS**
- 9 219400169 **SEMI-RIGID REAR SIDE CARGO TRAVEL BAGS**  
(Not visible on the image above)



**EASY ALLEN KEY ADJUSTMENT SYSTEM.**

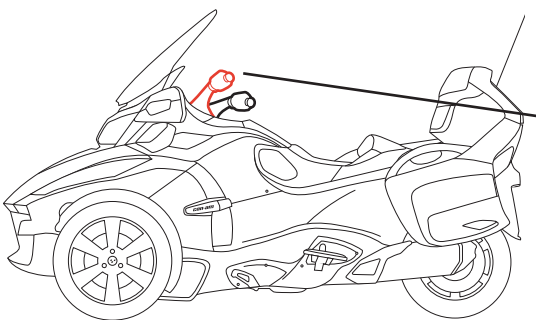
## HANDLEBARS

### TRI AXIS ADJUSTABLE HANDLEBAR

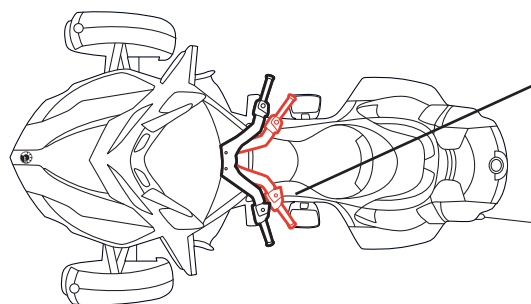
- State-of-the-art adjustable handlebar reduces fatigue and delivers comfort for all riders thanks to unlimited adjustment possibilities.
- Three different axes allow you to adjust the handlebar in terms of height, width and arm distance.
- Left and right bars are linked together and rotate simultaneously during adjustment.
- Easy Allen key adjustment system.
- Handlebar reuses existing production handgrips, comodo, electrical and clutch cables, and sits directly on the stock steering column.
- GPS Support for the Tri Axis Adjustable Handlebar (219400616) sold separately.

All Spyder RT models

219400344 - Carbon Black



Three different axes enable you to adjust the handlebar height, width and arm distance.



The left and right sides of the bar are linked so they're always in sync.

## IDLER PULLEY

### RT IDLER PULLEY SERVICE KIT

(Not illustrated)

- Enhances your comfort on the road by reducing vibrations generated by the belt.

Spyder RT models 2014 and up

219800419

## SEATS & BACKRESTS

Moving the driver's seat position back just two inches (50 mm) relaxes the knees and upper body.



### COMFORT SEAT

- Ultra comfortable with lumbar support.
- Roomier for driver, improves comfort during long rides.
- Driver backrest ready.
- Perfect for taller riders.

All Spyder RT models

219400457 - Black



### RT PASSENGER ARMRESTS

- The ultimate in long or short distance passenger comfort.
- Pivot up and out of the way for easy passenger access and exit.
- Styled to ensure an absolute match to your Can-Am Spyder.
- Allow easy access to passenger handles for added safety.

All Spyder RT models

219400839 - Black



### HEATED COMFORT SEAT

- Heated comfort seat with ability to slide in the driver backrest.
- The driver and passenger can choose their own heat intensity.
- Dual range Hi/Low heat setting.
- Activated through stock passenger and driver heated grip controls.

Spyder RT 2014 and up

219400398 - Black



### ADJUSTABLE DRIVER BACKREST FOR PRODUCTION SEAT

- New tilt adjustment to suit your riding style.
- Unique patent pending plug-and-go design installs in seconds and works with all standard Spyder RT driver seats with no modifications.
- Folds forward for easy passenger seat access.

Spyder RT 2014 and up, RT 2013 and prior with 2014 and up production seats

219400679 - Black

### ADJUSTABLE DRIVER BACKREST SUPPORT - UPGRADE KIT

- Kit adds tilt adjustment to previous generation driver backrests (219400358, 219400479, 219400480, 219400481).

For production seats

219400682

- Kit adds tilt adjustment to previous generation driver backrests (219400478, 219400488, 219400489, 219400490).

For comfort seats

219400683



### ADJUSTABLE DRIVER BACKREST FOR COMFORT SEAT

- Tilt adjustment to suit your riding style.
- Unique plug-and-go design installs in seconds and works with Spyder RT driver Comfort Seats with no modification.
- Folds forward for easy passenger seat access.

Fits with Comfort Seat (219400457)

Fits with Heated Comfort Seat (219400398)

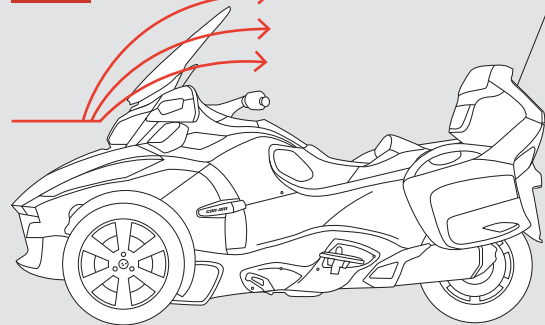
219400689 - Black



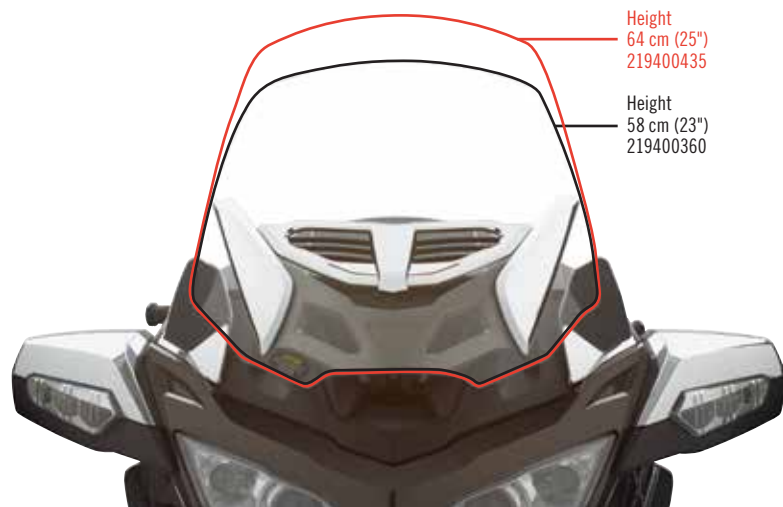
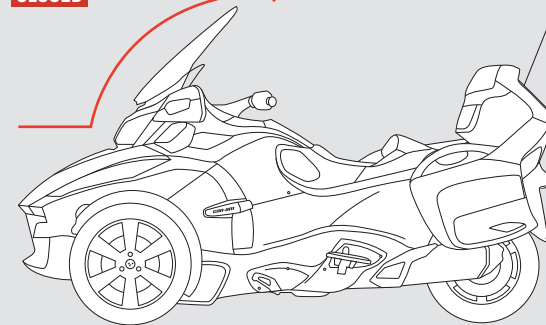
# WINDSHIELDS & WIND PROTECTION

## YOUR CLIMATE CONTROL

OPENED



CLOSED



Height  
64 cm (25")  
219400435

Height  
58 cm (23")  
219400360

### ADJUSTABLE VENTED WINDSHIELD

- Regulates driver frontal airflow.
- Integrated adjustable vent offers easy infinite management of horizontal slats from closed to fully opened.

All Spyder RT models

- 64 cm (25")  
219400435 - Clear with chrome
- 58 cm (23")  
219400360 - Clear with chrome

### LOW WINDSHIELD KIT

All Spyder RT models

- 219400578 - Smoke



### VENTED WINDSHIELD

- 2013-2014 standard windshield with openings.

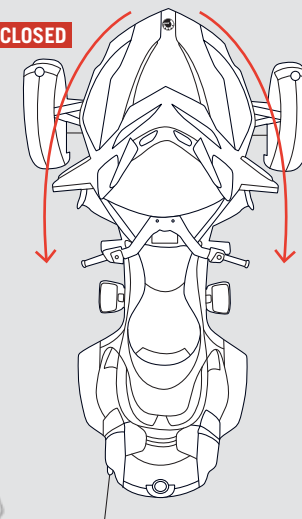
All Spyder RT models

- 219400415 - Clear

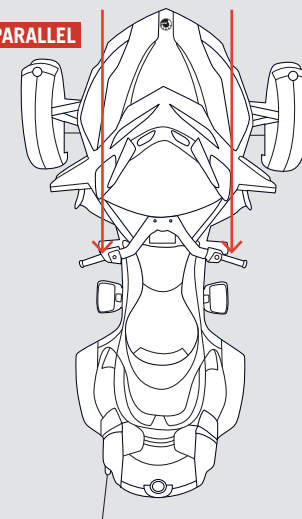


## 3 ADJUSTABLE SIDE WIND DEFLECTORS PRESET POSITIONS

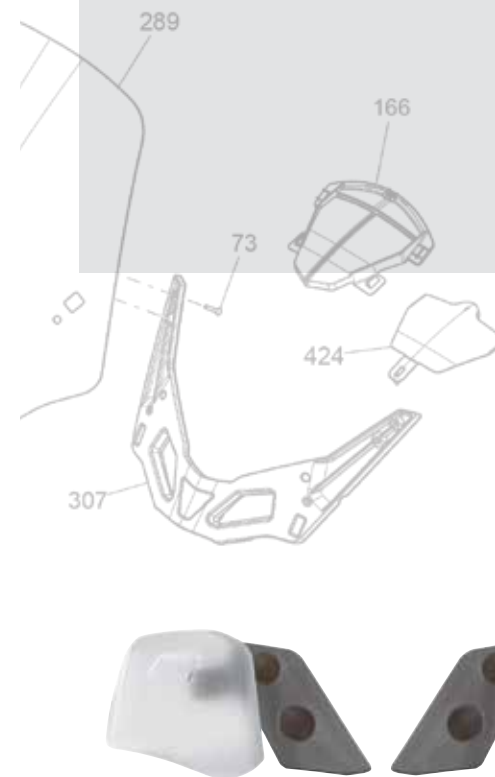
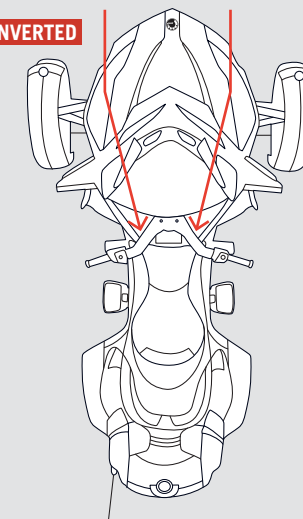
CLOSED



PARALLEL



INVERTED



### ADJUSTABLE SIDE WIND DEFLECTORS

- Regulate passenger and driver airflow.
- 3 preset positions (closed, parallel and inverted).
- Easy tool-less click adjustment.

All Spyder RT models

- 219400362 - Clear

All Spyder RT models

- 219400413 - Chrome



Height  
64 cm (25")  
219800199

Height  
58 cm (23")  
219400243

### TOURING WINDSHIELD

- Lower and narrower design for riders looking for less wind protection than provided by the stock Spyder RT model.

All Spyder RT models

- 64 cm x 61 cm (H 25" x W 24")  
219800199 - Clear
- 58 cm X 56 cm (H 23" x W 22")  
219400243 - Clear



**TOP CASE MOLDED INSIDE LINER**

- Felt insert for finishing touch to rear top cargo compartment.

**All Spyder RT models**

■ 219400246 · Dark Grey

**CARGO & STORAGE**

**SEMI-RIGID REAR SIDE CARGO TRAVEL BAGS**

- Stylish premium travel bags specifically sized to fit in rear side cargo.
- Retractable handle and shoulder straps for carrying convenience.
- Integrated pull tabs for effortless removal from cargo cavity.
- Sold in pairs.

**All Spyder RT models**

■ 219400169 · Black



**SOFT SIDE CARGO TRAVEL BAGS**

- Soft travel bags that maximize Spyder RT rear side cargo space.
- Integrated handle for carrying convenience.
- Sold in pairs.

**All Spyder RT models**

■ 219400172 · Black



**NEW**

**CAN-AM ALL ELEMENT DRY BACKPACK BY OGIO®**

- 100% waterproof roll-top construction.
- Generous 26.5-liter (7 US gallons) capacity.
- Back panel allows airflow to keep rider cool.
- Strap-containment system keeps straps secured at high speeds.
- Adjustable sternum strap and dual-density shoulder straps maximize comfort.
- High-visibility 360° reflective screen print and removable high-visibility liner.
- Complete with zippered easy-access front stash pocket and dual-pocket organization panel and laptop/tablet sleeves.

**4693020090 · Black**



**SEMI-RIGID REAR TOP CARGO TRAVEL BAG**

- Stylish premium travel bag specifically sized to fit in rear top cargo.
- Retractable handle for carrying convenience.
- Integrated pull tabs for effortless removal from cargo cavity.

**All Spyder RT models**

■ 219400168 · Black



**CAN ALSO DOUBLE AS AIRPLANE CARRY-ON LUGGAGE.**

**SEMI-RIGID FRONT CARGO TRAVEL BAG**

- Rolling travel bag designed to maximize available front cargo space.
- Can also double as airplane carry-on luggage.

**All Spyder RT models**

■ 219400167 · Black



**FRONT CARGO LINER**

- Felt insert provides finishing touch to front compartment.
- Features multiple storage pockets.
- Designed to integrate Front Cargo Light (219400623).

**Spyder RT 2012 and prior**

■ 219400166 · Black

**Spyder RT 2013 and up**

■ 219400368 · Black



**INTEGRATED HELMET BAG**

- Truly integrated easy-to-use helmet storage solution.
- Sturdy water-resistant construction.
- Includes elastic straps for tying down helmet bag onto seat.
- Complete with anti-theft wire for added security.

**All Spyder F3 and RT models**

■ 219400850 · Black



**TOP CASE MIRROR**

- For rear top cargo cover.
- Folds open, locks up when not in use.
- Offers a small cargo in the top case lid.

**All Spyder RT models**

**219400321**

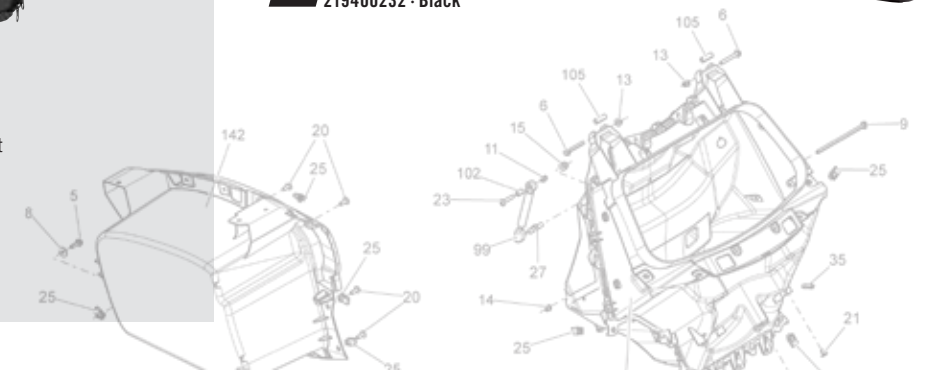


**REAR TOP CARGO SHELF**

- For supporting and organizing rear top cargo.
- Two recessed compartments to support electronic accessories.
- Can be tilted to facilitate access to lower section of cargo.

**All Spyder RT models**

■ 219400232 · Black



# LIGHTS & ELECTRICAL ACCESSORIES



## CB & COMMUNICATION SYSTEM

- For staying in touch with friends across a range of 40 channels.
- Handlebar controls allow push-to-talk and adjust squelch levels for maximum performance and reception quality.
- Fully integrated system also mutes radio while in transmitting and receiving modes.
- Plug-and-play system controlled via vehicle's cluster.
- Works in conjunction with wired Communication Headset (4474380090).
- Entertainment Harness (219400610) required for installation.
- AM/FM Integrated Audio System (219400464) also required for Spyder RT 2012 and prior models.

**Spyder RT 2010-2017**  
219400611



## COMMUNICATION HEADSET (WIRED)

- For rider and passenger. Includes headset and microphone.
- Works in conjunction with the CB & Communication System (219400611) available as an option on the Can-Am Spyder RT models.

**4474380090**



## PUSH-TO-TALK REMOTE FOR PASSENGER

- Passenger communication system (wired) for use with wired headsets and microphones (4474380090).
- Provides passenger with vehicle-to-vehicle communication capabilities with push-to-talk (PTT) button.
- Works in conjunction with the CB & Communication System (219400611), available as an option on the Can-Am Spyder RT models.

**4474760090**



## GARMIN ZUMO 590 GPS

- Features a glove-friendly and sunlight-readable 12.7 cm (5") dual-orientation touchscreen display.
- Offers hands-free phone control and spoken directions heard in-helmet via Bluetooth 5 technology.
- Includes a MP3 player.
- iPod and Pandora compatibility.
- GPS Support sold separately (219400615/219400616).
- Allows control of music right on the display.
- Rugged and tough enough to withstand fuel spills, UV rays and harsh weather.
- Offers access to real-time weather and traffic information via the smartphone link app.
- Free lifetime map updates.
- Curvy Roads Routing allows rider to find winding roads.

### All Spyder models

**219400512**  
**219400699 - Europe**



## GPS SUPPORT FOR TRI AXIS ADJUSTABLE HANDLEBAR

- Support for Garmin Zumo 590 GPS.
- Rotates to suit multiple adjustable handlebar settings.
- Includes casting, electric harness, rubber boot and hardware.
- GPS sold separately.

### All Spyder RT models

**219400616 - Carbon Black**

## ADJUSTABLE GPS MOUNTING KIT (FOR STOCK HANDLEBAR)

(Not illustrated)

- Mounting kit for Garmin Zumo 590 GPS (219400512, 219400699 EC) with adjustable support that fits stock handlebar.
- Includes casting, electric harness, rubber boot and hardware.

### All Spyder RT, ST, RS 2013 and up

**219400615 - Carbon Black**



## BLUETOOTH DONGLE FOR AUDIO SYSTEM

- Allows a wireless Bluetooth connection between the vehicle's AM/FM radio (or any non-Bluetooth audio device) and the Bluetooth Communication System.
- Dual streaming to 2 Bluetooth headsets at the same time.
- Headset and AM/FM radio sold separately.

### All Spyder RT models, ST 2010-2017

**219400458**

## CELLPHONE INTERFACE KIT

- Electrical harness tucked underneath vehicle allows you to communicate with your Bluetooth cellphone via your headset.
- Requires CB & Communication System (219400611), Entertainment Harness (219400610) and Garmin Zumo 590 GPS (219400512, 219400699 EC).

### Spyder RT 2010-2017

**219400390**



## GPS SUPPORT FOR TRI AXIS ADJUSTABLE HANDLEBAR (WITHOUT HARNESS)

(Not illustrated)

### All Spyder RT models

**219800382**

## CB ANTENNA REPLACEMENT KIT

(Not illustrated)

- Includes antenna, antenna base, ground strap and wires.

### All Spyder RT models (service kit)

**219400317**

## ENTERTAINMENT HARNESS

(Not illustrated)

- Required to install the CB & Communication System (219400611) and Satellite Radio Kit (219400612).

### Spyder RT 2010-2017

**219400610**

## CGX3 CAMERA

- 160° wide angle lens.
- Resolution options: from 3MP up to 20MP and VGA.
- Video resolutions available: 2.7K at 30 frames per second (FPS), 720P at 120/60/30 FPS, 1080P at 60/30 FPS and VGA at 240 FPS.
- Record videos in 4K UHD at 24 FPS, 2.7K QHD at 30 FPS and 720P at 120 FPS.
- Memory: Class 10 32GB micro SD card.
- 5 cm (2") capacitive touchscreen.
- Waterproof up to 10 m (32.8') without a case.

**9700130090**

- Li-ion battery capacity of 1050mAh, working time of 1/1.5 hours and charging time of 3 hours (2 batteries included).
- WiFi function remotely operates up to 15 m (49.2') with mobile devices and CYCLOPS app for Android and IOS.
- Features modes such as invert, time lapse, high speed & loop recording, motion detection, capture (while recording a video), burst and anti-sharing.
- Comes with 8 mounting accessories.



## CYCLOPS 360° PANORAMIC HD VIDEO CAMERA

- Features a 220-degree wide-angle lens.
- Video resolutions up to 4K at 30 frames per second.
- Professional 16MP quality photos.
- Rugged, light and portable.
- Magnetic mount for vibration-free footage and mounting to any metal surface.
- Comes with 32GB Class 10 micro SD card.

**9700020090**

- Waterproof case up to 50 m (164').
- Wi-Fi available to remotely control your camera from your smartphone or computer with the free CGX2 App.
- 16 modes and effects, including driving mode, loop recording, time lapse and slow motion.
- Comes with 10 mounting accessories.
- Compatible with VR goggles.



## PASSENGER SPEAKER & AUDIO CONTROLS

- Weatherproof concert-sound-quality rear speaker kit including speakers, pods and passenger controls for full radio tuning.
- Plug-and-play directly into vehicle.
- Fully-equipped wiring harness included.

### Spyder RT 2012 and prior

**219400150**



## IPOD INTEGRATION CABLE

- Cable for hooking up an iPod (30 pin connector common to Apple devices) to top cargo's DIN connector.
- Includes 5V transformer.
- Full-feature handlebar control.
- DOT-Matrix visual interface.
- Driver volume control and playlist browser convenience through vehicle's cluster.
- An adapter may be required for latest-generation iPod or iPhone.
- Standard on Spyder RT and ST Limited packages.
- Located in the front compartment on Spyder ST and in rear compartment on Spyder RT.
- Check compatibility with your dealer.

### Spyder RT 2014 and up, ST

**710002676**



## POWER OUTLET KIT

- Recharges your electronic devices while riding\* (smartphone, MP3, heating gear, etc.).
- Dual port USB connectors.
- Plug-and-play kit.
- Simply connect under driver seat and use.
- \*The power outlet is not capable of recharging all device types while riding.

### All Spyder RT models, RS, ST, F3, F3-S

**219400510 - USB**

- Adds an extra 12V power outlet to your vehicle.
- Conveniently located in front cargo bin.

### All Spyder models

**219400366 - 12V**



## SATELLITE RADIO KIT

- Receiver helps maintain radio reception everywhere.
- 150+ digital channels to choose from.
- 15 station presets for quickly tuning into your favorite programming.
- Plug-and-play system controlled via vehicle's cluster.

### Spyder RT 2010-2017

**219400612**

## 3.5 MM AUDIO PLAYER INPUT

- 3.5 mm cable for hooking up a MP3 player to top cargo's DIN connector.
- Driver volume control convenience through vehicle's cluster.

### Spyder RT 2014 and up, ST

**710001406**



- Fee-based monthly subscription required.
- Entertainment Harness (219400610) required for installation.
- AM/FM Integrated Audio System (219400464) is also required for Spyder RT 2012 and prior.
- Headset sold separately.

## FOG LIGHTS

(Not illustrated)

- Enhance low beam light for better visibility at ground level and on sides.
- Uniquely styled halogen fog lamps feature a 35W bulb and clear lens with a faceted inner reflector.
- Easy installation.
- Not EC compliant.

### All Spyder RT models

**219400579**

## REPLACEMENT N-TOUCH COVERS FOR COMMUNICATION SYSTEM DIN CONNECTORS

(Not illustrated)

### All Spyder RT models (service kit)

**219400315 - Black**



## WHEELS



### 15" SHAMROCK WHEELS

- Add personality to your Can-Am Spyder.
- Casted, painted and machined wheels.
- Sold in pairs.

All Spyder F3 and RT models, RS, ST 2013 and up  
 ■ 219400500 · Deep Black



### 15" RT & ST LIMITED CHROME FRONT WHEELS

- Premium cast aluminum 15" 12-spoke mags.
- Sold in pairs.

All Spyder F3 and RT models, RS, ST 2013 and up  
 ■ 219400420 · Chrome



## 12-SPOKE MAGS.



### 15" FAT 6 CHROME WHEELS

- Same design as Spyder F3 production wheels in PVD finish.
- Sold in pairs.

All Spyder F3 and RT models, RS, ST 2013 and up  
 ■ 219400589 · Chrome



### CHROME REAR WHEEL

- 6-spoke PVD — chrome-like powder-coat, more resistant than regular chrome — monobloc rear wheel (hub and wheel in one piece).

All Spyder F3 and RT models, RS, ST 2013 and up ■ 219400574 · Chrome  
 All Spyder 2012 models and prior ■ 219400575 · Chrome



### 15" TWIN-BLADE WHEELS

- Premium cast aluminum 15" 6 twin-blade spoke mags.
- Sold in pairs.

All Spyder F3 and RT models, RS, ST 2013 and up  
 ■ 219400357 · Carbon Black



### 14" CHROME WHEELS

- Sold in pairs.

Spyder RT 2012 and prior  
 ■ 219400256 · Chrome

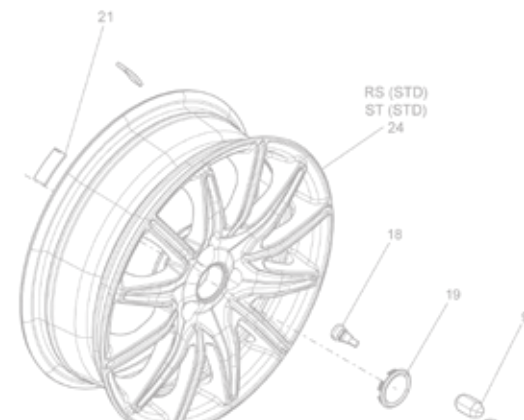


### 15" BLADE MAG WHEELS

- Unidirectional design (left and right wheel).
- Patented casting process allows a weight reduction of 1 kg (2.2 lb) per wheel compared to stock wheels.
- Sold in pairs.

All Spyder F3 and RT models, RS, ST 2013 and up  
 ■ 219400465 · Black

**15" BLADE MAG WHEELS SERVICE KIT**  
 (Not illustrated)  
 · Replacement "blade" for wheels.  
 ■ 219400542 Left · Brushed Aluminum  
 ■ 219400543 Right · Brushed Aluminum



Some products may not be available or homologated in your region. Contact your dealer for more information.

## FENDERS

You can make any year Can-Am Spyder look like the latest by simply changing the fenders.



### LOW BROW FRONT FENDERS

- Super sleek drawn steel fenders with LED position lights integrated into the front edge.
- Include electrical harness and required hardware.
- Sold in pairs.
- LED position lights not EC compliant.

All Spyder RT models, RS, ST 2013 and up, all Spyder F3 models 2018 & prior  
 ■ 219400502 · Carbon Black



### FRONT FENDERS

- Sporty look with a slim profile and integrated position lights and reflectors.
- Front Fender Supports (219400359) are required (sold separately).
- Sold in pairs.

All Spyder F3 and RT models, RS, ST 2013 and up  
 ■ 219400423 · Pure Magnesium  
 ■ 219400424 · Satin Black  
 □ 219400467 · Pearl White



### FRONT FENDER SUPPORTS

- Supports for Front Fenders, including position lights, reflectors and hardware.
- Front Fenders sold separately.
- Sold in pairs.

All Spyder F3 and RT models, RS, ST  
 ■ 219400359 · Black





# CUSTOM ACCESSORIES

## WINDSHIELD SUPPORT

· Complete with mounting hardware.

**All Spyder RT models**

■ 219400298 · Chrome



## WINDSHIELD TRIM

**All Spyder RT models**

■ 219400191 · Chrome



## HANDLEBAR COVER

· Complete with hardware and black center cap.

**All Spyder RT models**

■ 219400263 · Chrome



## HANDLEBAR END CAPS

· Sold in pairs.

**All Spyder models**

■ 219400702 · Chrome



## LOWER WIND DEFLECTORS

· Hardware included.  
· Sold in pairs.

**All Spyder RT models**

■ 219400290 · Chrome



## UPPER WIND DEFLECTORS

· Hardware included.  
· Sold in pairs.

**All Spyder RT models**

■ 219400262 · Chrome



## MIRROR ACCENTS

· Chrome accents to upgrade your mirrors.  
· Sold in pairs.

**All Spyder RT models**

■ 219400291 · Chrome



## AIR INTAKE TRIMS

· Sold in pairs.

**All Spyder RT models (except models with Fog Lights)**

■ 219400196 · Chrome



## LOWER SPOILER TRIMS

· Sold in pairs.

**Spyder RT 2013 and prior**

■ 219400194 · Chrome



## SIDE CAN-AM TRIMS

· Sold in pairs.

**All Spyder RT models**

■ 219400195 · Chrome



## REAR TOP CARGO TRIM

**All Spyder RT models**

■ 219400192 · Chrome



## DRIVER FOOTBOARDS

· Replace stock pegs on SE5 and SE6 models.  
· Sold in pairs.

**Spyder RT-S SE5, SE6 2013 and up**

■ 219400582 · Chrome



## PASSENGER FOOTBOARDS

· Complete chrome passenger footboards assembled with rubber insulation pads.  
· Mounting hardware included.  
· Sold in pairs.

**All Spyder RT models**

■ 219400265 · Chrome



## DRIVER FOOTPEGS

· Chrome pegs assembled with rubber insulated pads.  
· Mounting hardware included.  
· Sold in pairs.

**All Spyder RT models**

■ 219400264 · Chrome

## EXHAUST TIP AND HEAT SHIELD

· Kit for custom finishing your stock exhaust system.  
· Includes chrome end pipe, heat shield and hardware.

**All Spyder RT models, RS, ST, F3-T, F3 Limited**

■ 219400473 · Chrome



## FOOTPEG SUPPORT CASTINGS

· Remounting hardware included.  
· Peg and footboard sets sold separately.  
· Sold in pairs.

**Spyder RT 2012 and prior**

■ 219400268 · Chrome





## SHOCKS

### FOX ADJUSTABLE FRONT SHOCK KIT

- Velocity sensitive, bolt on suspension upgrade specially tuned for Spyder RT.
- Includes stiffer springs and adjustable preload to adapt to your riding style and reduce body roll.
- Fully serviceable and rebuildable.
- Part of the Podium Performance Series, delivers great performance and comfort.

Spyder RT 2014 and up  
219400588



Some products may not be available or homologated in your region. Contact your dealer for more information.



## SILENCERS

### AKRAPOVIČ SPORT TOURING SILENCER

- Not AS certified.
- Spyder RT 2013, RS, ST 2013 and up (991 engine)
- 219400443 - Titanium



### AKRAPOVIČ SPORT SILENCER

- Not AS certified.
- Spyder RT 2013, RS, ST 2013 and up (991 engine)
- 219400444 - Titanium



### AKRAPOVIČ SPORT TOURING 3C SILENCER

- Set your ride apart with the dynamic, deep resonant sound of an Akrapovič silencer.
- Its premium titanium and carbon fiber construction is 55% lighter than stock model and it's been tested to meet the most stringent requirements.
- Not AS certified.
- All Spyder RT models, F3-T, F3 Limited
- 219400650 - Titanium - Canada / US
- 219400838 - Titanium - Other countries



### AKRAPOVIČ SPORT SILENCER HEAT SHIELD REPLACEMENT KIT

- (Not illustrated)
- Spyder RT 2013, RS, ST 2013 and up (991 engine)
- 219400517

### AKRAPOVIČ SPORT TOURING SILENCER HEAT SHIELD REPLACEMENT KIT

- (Not illustrated)
- Spyder RT 2013, RS, ST 2013 and up (991 engine)
- 219400516

All Can-Am Spyder accessory exhaust systems meet all the most stringent EPA, CARB & EC standards.

### AKRAPOVIČ SILENCERS TOP FEATURES

- Innovative Design. First hexagonal shaped silencers.
- The best materials. Premium titanium shell construction with carbon fiber end cap and heat shield render these silencers 55% lighter than the stock silencer.
- The unmistakable sound of Akrapovič. Deep resonant sound that you won't hear anywhere else.
- EPA, CARB and EC certified. Rigorous measurement, testing and quality control ensure silencers meet the most stringent standards.
- Exhaust fit compatible with all BRP genuine accessories.



# COVERS

## SPYDER F3

### F3 LIMITED TRAILERING COVER

- Made of durable, 100% waterproof, fully-breathable 300-denier polyester.
- Easy-on / easy-off system ensures cover is secure in all trailering conditions.
- Equipped with integrated exhaust panel and no-scratch flannel windshield liner.
- Compatible with all stock and accessory seats regardless of passenger or driver backrests, passenger armrests, windshield, or top case.



#### **F3-T (with optional top case), F3 Limited 2017 & up**

■ 219400768 - Black

### F3-T TRAILERING COVER

- Made of durable, 100% waterproof, fully-breathable 300-denier polyester.
- Easy-on / easy-off system ensures cover is secure in all trailering conditions.
- Equipped with integrated exhaust panel and no-scratch flannel windshield liner.
- Compatible with all stock and accessory regardless of passenger or driver backrests, passenger armrests, or windshield.
- Incompatible with top case.



#### **Spyder F3-T, F3 Limited 2016**

■ 219400751 - Black

### OUTDOOR COVER

- Durable solution-dyed UV and mildew-resistant 100-denier polyester construction.
- Soft inner liner protects windshields up to Tall Boy Windshield (219400596).
- Compatible with F3-T with or without passenger and driver backrests.
- Also compatible with all F3 windshields.
- Incompatible with Passenger Armrests (219400726).



#### **Spyder F3-T, F3 Limited 2016**

■ 219400603 - Black

### OUTDOOR COVER

- Durable solution-dyed UV and mildew-resistant 100-denier polyester construction.
- Inner liner protects windshield.
- Easy maintenance.



#### **Spyder F3, F3-S**

■ 219400495 - Black



### TRAVEL COVER

- Provides protection to vehicle's top areas.
- Stows conveniently into front bin and takes up little space.
- Easy to install and remove.

#### **Spyder F3, F3-S**

■ 219400496 - Black



### TRAVEL COVER

- Start your morning ride with a dry, clean seat.
- Protects the top surfaces of your vehicle and stows compactly in the front compartment, making it a great road trip companion.

#### **Spyder F3-T, F3 Limited 2016**

■ 219400604 - Black



### DRIVER SEAT RAIN COVER

- 100% waterproof driver-seat protection.
- Fits all stock or accessory seats.
- Compatible with Driver Backrest.
- Quick installation and removal.

#### **All Spyder F3 models**

■ 219400648 - Black



### PASSENGER SEAT RAIN COVER

- 100% waterproof passenger seat protection.
- Fits all stock or accessory seats.
- Compatible with Passenger Backrest and Short Rail.
- Quick installation and removal.

#### **Spyder F3, F3-S and F3-T standard seat, Coast-to-coast Seat, Cannonball Seat**

■ 219400649 - Black



## SPYDER RT



### CUSTOM VEHICLE COVER

- Made of tough water-repellent, breathable 300-denier polyester.
- This cover provides maximum vehicle protection while trailering or outdoor storing.
- Includes integrated exhaust panel and protective flannel windshield liner.
- Easy attach system secures cover in all trailering conditions.
- Compatible with RT Passenger Armrests (219400839).

#### **All Spyder RT models**

■ 219400860 - Black



### TRAVEL COVER

- Provides protection to vehicle's top areas (windshield, seat, top cargo).
- Stows conveniently into top cargo and takes up little space.
- Quick installation and removal.

#### **All Spyder RT models**

■ 219400199 - Black



### SEAT RAIN COVER

- 100% waterproof seat protection.
- Fits all stock or accessory seats.
- Compatible with Driver Backrest.
- Quick installation and removal.

#### **All Spyder RT models**

■ 219400722 - Black

## SPYDER RS & ST

### OUTSIDE STORAGE COVER

- Durable solution-dyed UV and mildew-resistant 100-denier polyester construction.
- Inner liner protects hood and windshield.
- Easy maintenance.
- Fits models with Ultra Touring Windshields (219400306/219400354) and Passenger Backrest (219400350).

#### **Spyder RS, ST**

■ 219400448 - Black



### INDOOR STORAGE COVER

- Soft, non-abrasive, breathable polyester construction allows condensation to escape when vehicle is in storage.
- Easy clean fabric with Scotchgard® treatment.

#### **Spyder RS**

■ 280000338 - Black



### LIGHT TRAVEL COVER

- Provides vehicle's seating, handlebar and windshield areas with outdoor temporary/overnight protection.
- Compact size makes it convenient for traveling.

#### **Spyder RS**

■ 219400275 - Black

#### **Spyder RS, ST**

■ 219400449 - Black



### TIE-DOWN KIT

- Specifically designed to secure your Can-Am Spyder while trailering.
- Attach your vehicle to 3 or 4 anchor points, depending on your trailer.
- Pack of 4.

219400200



# RIDING GEAR

Look beyond the horizon, to all of those unseen, unexplored destinations that never seem to stop calling you. Listen to your heart and head out... anywhere. In fact, the farther the better. Don't just live your dreams; ride them – intensely, completely, and without hesitation. Anywhere you're headed is home when you're riding the Can-Am On-Road experience.



**LIFE'S  
BETTER  
WITHOUT  
LIMITS.**



# JACKETS



CRUISE JACKETS 440733/440734



KATE MESH JACKET 440736

**LOOK  
AS GOOD  
AS YOU  
RIDE.**



CALIBER JACKETS 440822/440823



RUSSELL MESH JACKET 440676



CALIBER JACKET 440823



CALIBER JACKET 440822












VOYAGER JACKET 440824



CRUISE JACKET 440734

# JACKET TECHNOLOGY

Use this guide to find the features you want by looking for the corresponding symbol among our extensive collection of jackets.

- 
**100% waterproof**  
 To keep dry in all conditions.
- 
**Water-resistant**  
 To keep dry in light rain conditions or during short rides.
- 
**Windproof**  
 To protect from air infiltration.
- 
**Removable insulated lining**  
 To adapt to the current temperature. Wear when cold, remove when warm.
- 
**Adjusted fit**  
 Fits closer to the body.
- 
**Relaxed fit**  
 Looser fit for relaxed riding position.
- 
**Pockets for removable protectors**  
 Pouches to insert removable protectors.
- 
**RPM**
- 
**RPM MAX**

## HIGH PERFORMANCE GEAR WITH RPM TECHNOLOGY

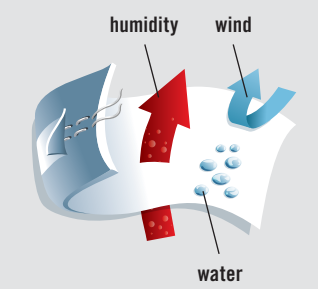


Critical seams and logos are sealed, so water can't enter through potential openings.



100% of seams and logos are sealed, so water can't enter through potential openings.

**RPM & RPM MAX**  
 Coatings keep wind and air out and still allow perspiration to escape.





**WINDPROOF,  
WATER-RESISTANT,  
BREATHABLE  
RPM TECHNOLOGY.**

**REGULAR SIZE  
COLLECTION**

**TEXTILE**

**MEN'S & LADIES' CALIBER JACKETS**

**FEATURES**

- Teflon<sup>®</sup>-treated highly wear-resistant fabric with all critical seams sealed.
- Extensive chest-area ventilation.
- Cushioned collar edge prevents chafing.
- Back armhole gussets improve movement & flexibility.
- Shaped sleeves.
- Multi-adjustable biceps, forearms, wrists, and waist.
- Napoleon pocket, 2 easily accessible exterior pockets & 1 interior pocket.
- Includes no less than 150cm<sup>2</sup> reflective safety trim.

Shell: Nylon  
Insulation: Polyester



**BENEFITS**

- Superior comfort in almost any weather condition.
- High breathability ensures dryness.
- Highly-durable for extended wear and long-distance rides.
- Easily adjustable for optimum mobility.
- Enhanced low-light & nighttime visibility for added safety.



**NEW**

**MEN'S CALIBER JACKET**

440822 · S, M, L, XL, 2XL, 3XL · Red (30), Black (90)

*Some products may not be available or homologated in your region. Contact your dealer for more information.*



**NEW**

**LADIES' CALIBER JACKET**

440823 · XS, S, M, L, XL, 2XL, 3XL · Charcoal Grey (07), Black (90)





Learn everything about the technology built into the Cruise Jackets. Go to: [canamspyder.com](http://canamspyder.com)

### MEN'S & LADIES' CRUISE JACKETS

#### FEATURES

- Teflon-treated highly wear-resistant fabric.
- Shaped sleeves.
- Action pleat gussets at back armhole for extra comfort and ease of movement.
- Critical seams sealed.
- Chest and back ventilation.

- Multi-adjustable biceps, wrist and waist openings.
  - Reflective details at back.
  - May require rain suit in heavy rain conditions.
- Shell: Nylon, Other fabric  
Insulation: Polyester

#### BENEFITS

- Outstanding ventilation, lightweight for extra comfort.
- Breathable to keep you dry.
- Excellent flexibility and rider fit.
- Wind and water protection.
- Ultra-durability and wear resistance.
- Convenience, good practicality, and nighttime visibility.



**MEN'S CRUISE JACKET**  
440733 · S, M, L, XL, 2XL, 3XL · Charcoal Grey (07)



**LADIES' CRUISE JACKET**  
440734 · XS, S, M, L, XL, 2XL · White (01)



**MADE OF HIGHLY BREATHABLE MESH.**

### MESH

Watch the Russell and Kate Mesh Jackets' work features. Go to: [canamspyder.com](http://canamspyder.com)

### RUSSELL & KATE MESH JACKETS

#### FEATURES

- Made of highly breathable mesh.
- No collar.
- Shaped sleeves.
- Adjustable waist, biceps, forearms and sleeves openings.
- 3M<sup>®</sup> reflective details at back.

Shell: Polyester, Nylon  
Insulation: Polyester

#### BENEFITS

- Lightweight comfort with outstanding breathability.
- Excellent flexibility and rider fit.
- Convenience, practicality, and nighttime visibility.



**RUSSELL MESH JACKET**  
440676 · S, M, L, XL, 2XL, 3XL · Black (90)



**KATE MESH JACKET**  
440736 · XS, S, M, L, XL, 2XL · Black (90)



**PLUS SIZE COLLECTION**

**TEXTILE**

**MEN'S & LADIES' VOYAGER JACKETS**



**FEATURES**

- All critical seams sealed.
- Wear-resistant fabric.
- Chest-area ventilation.
- Cushioned collar edge prevents chafing.
- Side-bottom and back armhole gussets.
- Shaped sleeves.
- Multi-adjustable biceps, wrists, and waist.
- Adjustable back-waist level.
- Napoleon pocket, 4 easily accessible exterior pockets & 1 interior pocket.
- Includes no less than 150cm<sup>2</sup> reflective safety trim.
- Shell: Nylon
- Insulation: Polyester

**BENEFITS**

- Excellent comfort & protection in many weather conditions.
- High breathability ensures dryness.
- Easily adjustable for optimum mobility.
- Extended-wear durability.
- Low-light & nighttime visibility for added safety.



**NEW**

**MEN'S VOYAGER JACKET**

440824  
L PLUS, XL PLUS,  
2XL PLUS, 3XL PLUS,  
4XL PLUS  
Black (90)



**NEW**

**LADIES' VOYAGER JACKET**

440825  
M PLUS, L PLUS,  
XL PLUS, 2XL PLUS,  
3XL PLUS, 4XL PLUS  
Black (90)



**ALL  
CRITICAL  
SEAMS  
SEALED.**



**MESH**

Learn more about the Shaun and Emma Plus Mesh Jackets.  
Go to: [canamspyder.com](http://canamspyder.com)

**SHAUN PLUS & EMMA PLUS MESH JACKETS**

**FEATURES**

- Made of highly breathable mesh.
- No collar.
- Shaped sleeves.
- Action pleat gussets at back armhole for extra comfort and ease of movement.
- Adjustable waist, biceps and sleeves openings.
- 3M reflective details at back.
- Shell: Polyester, Nylon
- Insulation: Polyester



**SHAUN PLUS MESH JACKET**

440738 - L PLUS, XL PLUS, 2XL PLUS, 3XL PLUS, 4XL PLUS, 5XL PLUS - Black (90)



**BENEFITS**

- Outstanding breathability and extra roominess, for comfort.
- Excellent flexibility and rider fit.
- Convenience, practicality, and nighttime visibility.



**EMMA PLUS MESH JACKET**

440739 - M PLUS, L PLUS, XL PLUS, 2XL PLUS, 3XL PLUS - Black (90)



## TECHNICAL WEAR



Men's

Ladies'

NEW

### WINDPROOF FLEECE

- Lightweight, quick-dry water-resistant, and windproof.
- Brushed soft micro polyester interior.
- Offset front zipper for added comfort around collar (2-way center front zipper on ladies' model).
- Soft shell design delivers enhanced comfort.
- Lycra inner wrist with lengthened riding cuff.
- 2 exterior hand pockets.
- 4-way reflective details for added visibility.

Polyester, Spandex

Men's - 454130 - S, M, L, XL, 2XL, 3XL - Black (90)

Ladies' - 454129 - XS, S, M, L, XL, 2XL - Black (90)



Men's

Ladies'

NEW

### WINDPROOF PANTS

- Windproof, water-resistant soft shell.
- Brushed fabric interior for exceptional comfort.
- Ergonomic high-back design with shaped knees.
- Accommodates belts.
- 2 back, 2 hip and 1 zippered thigh pocket offer practicality & convenience.

Polyester, Spandex

Men's - 441637 - 30, 32, 34, 36, 38, 40, 42, 44 - Black (90)

Ladies' - 441638 - 6, 8, 10, 12, 14, 16, 18 - Black (90)

· Plus-sized tailored for a more flattering, comfortable fit.

Men's Plus size - 441641 - 46, 48 - Black (90)

Ladies' Plus size - 441642 - 20, 22 - Black (90)



### CAN-AM TECHNICAL JACKET

- Soft shell combines light insulation, breathability and weatherproofing.
- 4-way stretch fabric.
- Also ideal for wearing as an insulating first layer on cold days.
- Reflective details.
- 2 hand pockets with YKK® water-resistant zipper.
- Back ventilation.
- Pre-shaped sleeves.
- Adjustment at hem.

Polyester, Spandex

Men's - 453755 - S, M, L, XL, 2XL, 3XL - Black (90)

Ladies' - 453754 - XS, S, M, L, XL, 2XL - Black (90)



## RAIN GEAR

Learn the features and technologies of the Rain Jacket.  
Go to: [canamspyder.com](http://canamspyder.com)

### RAIN JACKET

- Made of waterproof and windproof Teflon-treated light PVC nylon.
- Balaclava hood sewn into the jacket for use under the helmet while riding, to avoid water infiltration during a downpour.
- Back ventilation for moisture evacuation.
- Shaped sleeves.
- Two Velcro® waist pockets with flap.
- Reflective details at front and back.
- Jacket folds into back pocket.
- To wear over riding jacket, order one size up or try it on over your riding jacket to ensure it fits.

Shell: Waterproof Nylon

440568 - XS, S, M, L, XL, 2XL, 3XL - Black (90)



### RAIN PANTS

- Elasticized waist.
- Velcro-hemmed wide side leg gusset for slipping pants on while wearing boots.
- Elastic at bottom leg to prevent pants from riding up.
- Folds into jacket's back pocket for easy traveling.
- To wear the pants over clothes, order one size up or try them on over your clothes to ensure they fit.
- Ladies: order one size smaller.

Shell: Waterproof Nylon

441501 - XS, S, M, L, XL, 2XL, 3XL Black (90)



## FOOTWEAR

### SPYDER RIDING BOOTS

- Perfect for rain or cold weather.
- Water-repellent leather.
- Hipora waterproof breathable membrane with 100% polyester lining padded with open cell foam for better comfort.
- 3M® Scotchlite® reflective detail on back.
- High-tech rubber composite sole.
- Sole structure offering a good grip under all conditions.
- Molded nylon shin guard backed with shock absorbing material.

444208 - 7, 8, 9, 10, 11, 12, 13 - Black (90)

See p.87 for European footwear equivalencies.

- Molded nylon ankle guard.
- Injected thermoplastic polyurethane toe pad for shifting gears.
- Techno GI® thermoplastic toe cap.
- Pre-formed orthopedic vibration-absorbing sole.
- Anti-crush tempered steel shank.
- Anti-twist sole.

Leather, Polyurethane



# HELMETS & ACCESSORIES



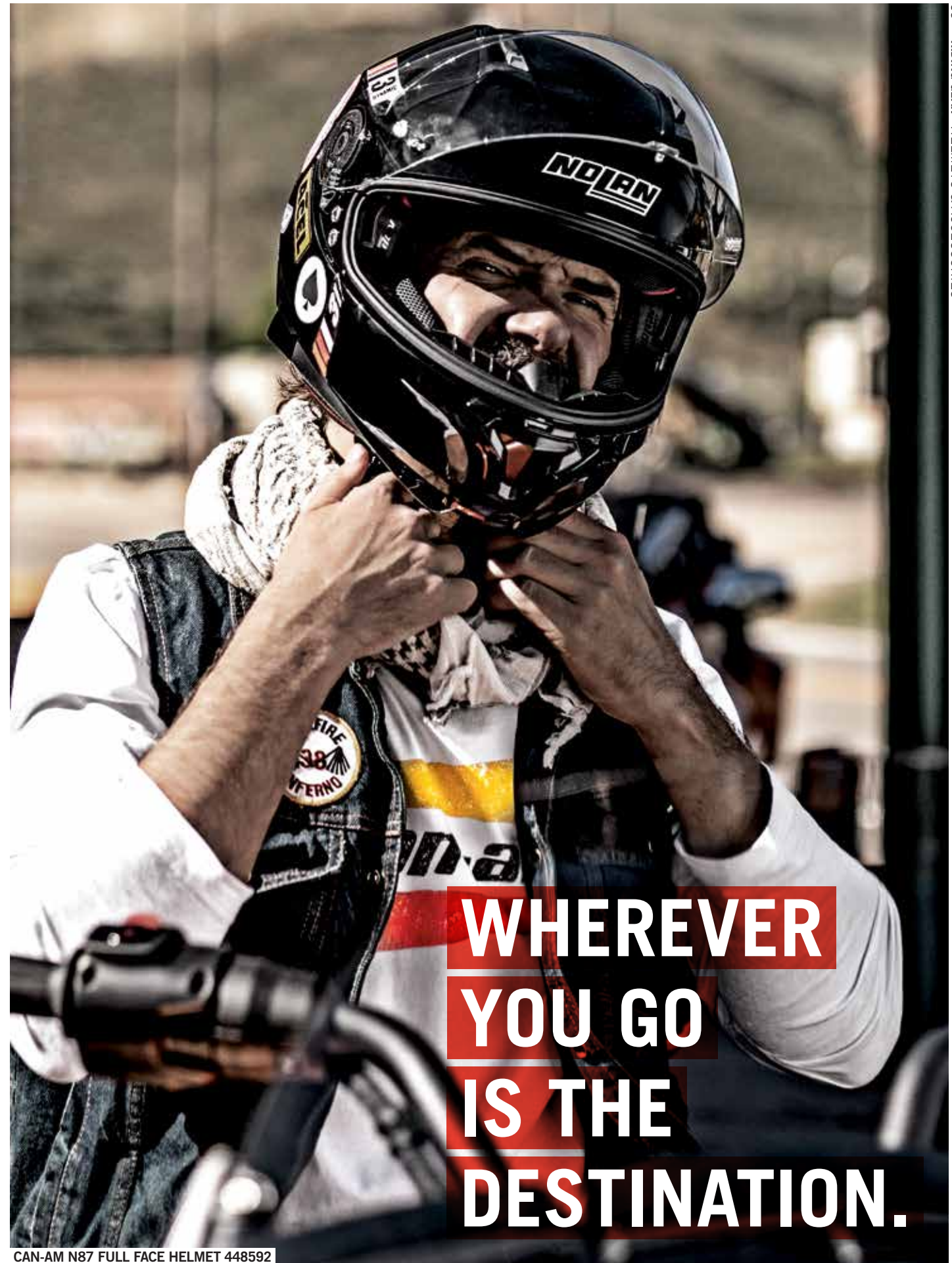
CAN-AM N87 FULL FACE HELMET 448592



CAN-AM N40-5 JET HELMET 448572



CAN-AM N100-5 MODULAR HELMET 448571



**WHEREVER  
YOU GO  
IS THE  
DESTINATION.**

CAN-AM N87 FULL FACE HELMET 448592



## OPEN FACE HELMETS

### CAN-AM N40-5 JET HELMET

#### FEATURES

- Ultra-wide scratch-resistant visor.
- Multi-adjustable anti-fog scratch-resistant VPS<sup>1</sup> sunshield with UV400 protection.
- Exclusive AirBooster<sup>1</sup> technology drives innovative ventilation system.

- Integrated chin straps.
  - Fully N-Com<sup>1</sup> System-ready.
  - ECE version not available in North America.
- Shell: Lexan<sup>1</sup> Polycarbonate

#### BENEFITS

- Delivers a superior field-of-vision for a safer ride.
- Engineered for superior anti-glare, anti-fog capability.
- Ultra-comfortable, and equipped with intelligent ventilation for superior temperature and humidity control.

DOT ECE22.05



NEW

### CAN-AM N40-5 JET HELMET

448572 · DOT · White (01), Magnesium (24), Matte Black (93)  
448591 · ECE · Matte Black (93)  
XS, S, M, L, XL, 2XL

Helmets shown are not available in Brazil. Contact your dealer for local helmets.



### CAN-AM N21 DURANGO OPEN FACE HELMET

DOT ECE22.05

#### FEATURES

- Minimalist retro design.
  - Super-strong lightweight Lexan polycarbonate shell.
  - Replaceable anti-scratch inner visor.
  - Fully removable, washable liner.
  - Microlock<sup>1</sup> quick-release chin strap.
  - Complete with protective storage pouch.
- ECE version not available in North America.  
Shell: Lexan<sup>1</sup> Polycarbonate

#### BENEFITS

- Superior quality and great look.
- High-impact resistance and comfort.
- Good visibility and practicality.
- Anti-bacterial, anti-fungal and moisture wicking for added comfort and hygiene.
- Added safety and convenience.



### CAN-AM N21 DURANGO OPEN FACE HELMET

448481 · DOT  
448482 · ECE  
S, M, L, XL, 2XL, 3XL · Matte Black (93)



**FULLY  
N-COM  
SYSTEM-READY.**

Helmets shown are not available in Brazil. Contact your dealer for local helmets.

## CROSSOVER HELMET

### CAN-AM N40-5 GT CROSSOVER HELMET

DOT ECE22.05

#### FEATURES

- Fully N-Com System-ready.
- Super-strong lightweight, aerodynamically-tuned polycarbonate shell with integrated spoiler.
- Exclusive Crossover technology.
- Optically-correct face shield protects the entire face while offering a large eye port and can be changed in seconds.
- Exclusive Vision Protection System (VPS<sup>®</sup>) features a scratch-resistant, anti-fogging, UV400 sunshield that raises or lowers in an instant.

- Innovative AirBooster multi-vent airflow system.
  - Fully removable, washable Clima-Comfort<sup>®</sup> liner, adjustable cheek pads.
  - Velour-padded chinstrap with Microlock quick-release retention system.
  - Removable protective chin guard with air intake.
  - Complete with chin guard plugs, side covers and helmet storage pouch.
- ECE version not available in North America.  
Shell: Lexan<sup>®</sup> Polycarbonate

#### BENEFITS

- Improved performance, stability and excellent high-impact resistance.
- Ultra-convenient accessory addition or replacement, maintenance, and customization.
- Added safety, exceptional field of vision and convenience.
- Protection against sun, glare, and condensation.
- Exceptional ventilation for improved temperature control.
- Anti-bacterial, anti-fungal and moisture wicking for added comfort and hygiene.
- Convenience and comfort.



**CAN-AM N40-5 GT CROSSOVER HELMET**  
448569 - DOT - White (01), Magnesium (24), Black (90)  
448570 - ECE - White (01), Magnesium (24)  
XS, S, M, L, XL, 2XL -

## ONE HELMET, FOUR LOOKS

Quick-change accessories allow you to customize the look and features for every ride.





## MODULAR HELMET

### CAN-AM N100-5 MODULAR HELMET

DOT

#### FEATURES

- Fully N-Com System-ready.
- Super-strong lightweight, aerodynamically-tuned polycarbonate shell with integrated spoiler.
- Optically-correct UV400 face shield protects the entire face while offering a large eye port and can be changed in seconds.
- Exclusive Vision Protection System (VPS) features a scratch-resistant, anti-fogging, sunshield that raises or lowers in an instant.
- Innovative AirBooster multi-vent airflow system.
- Fully removable, washable Clima-Comfort liner, adjustable cheek pads.
- Velour-padded chinstrap with Microlock quick-release retention system.
- Eyewear compatible.
- Pinlock<sup>®</sup> fog-resistant inner visor.
- Shell: Lexan<sup>®</sup> Polycarbonate

#### BENEFITS

- Improved performance, stability and excellent high-impact resistance.
- Added safety, exceptional field of vision and convenience.
- Protection against sun, glare, and condensation.
- Exceptional ventilation for improved temperature control.
- Anti-bacterial, anti-fungal and moisture wicking for added comfort and hygiene.
- Convenience and comfort.



NEW

#### CAN-AM N100-5 MODULAR HELMET

448571 · XS, S, M, L, XL, 2XL, 3XL · White (01), Black (90)



STYLISH,  
SPORTY  
DESIGN.

## FULL FACE HELMET

### CAN-AM N87 FULL FACE HELMET

DOT ECE22.05

#### FEATURES

- Ultra-wide scratch-resistant visor with silicone-sealed profile Pinlock fog-resistant inner visor.
- Multi-adjustable anti-fog scratch-resistant VPS sunshield with UV400 protection.
- Exclusive AirBooster technology drives innovative ventilation system.
- Complete with chin guard air intake and rear extractors.
- Patented Microlock double lever retention system.
- Fully removable and washable double-density micro-perforated Clima-Comfort interior padding.
- Washable cheek pads.
- Fully N-Com System-ready.
- ECE version not available in North America.
- Shell: Lexan<sup>®</sup> Polycarbonate

#### BENEFITS

- Delivers a superior field-of-vision for a safer ride.
- Engineered for superior anti glare, anti-fog capability.
- Designed to prevent accidental visor opening, closing, and foreign matter infiltration.
- Ultra-comfortable, and equipped with intelligent ventilation for superior temperature and humidity control.
- Stylish, sporty design.
- Eyewear compatible.



NEW

#### CAN-AM N87 FULL FACE HELMET

448592 · DOT · XS, S, M, L, XL, 2XL · Black (90), Matte Black (93)  
448593 · ECE · 2XS, XS, S, M, L, XL, 2XL · Matte Black (93)

# COMMUNICATION SYSTEMS

## ENHANCE THE EXPERIENCE.

Get your message across around every curve, into any headwind, and in the noisiest traffic with our in-helmet communication systems. A lot happens when convenience, comfort and cutting-edge technology come together to create effortless communication. Whether you're out for an hour or in it for the long haul our systems ride with you, letting you stay in touch in almost any driving condition.

### SENA 30K BLUETOOTH COMMUNICATION SYSTEM

#### FEATURES

- Innovative Bluetooth® 4.1 communication system with advanced adaptive Mesh-Intercom Technology.
- 13-hour Bluetooth intercom / 8-hour Mesh-Intercom talk time with 1.5-hour charge.
- Open terrain range: Bluetooth 1.6 km (1 mi), Mesh 2 km (1.2 mi).
- Separate headset (HSP) and hands-free profiles (HFP).
- Advanced Noise Control®.
- Integrated FM Radio with 10 stations preset and auto-scan tuning.



NEW

**SENA 30K BLUETOOTH COMMUNICATION SYSTEM**  
Single pack · 4486100090  
Dual pack · 4486110090

Some products may not be available or homologated in your region. Contact your dealer for more information.



### NOLAN B901-R BLUETOOTH COMMUNICATION SYSTEM

#### FEATURES

- 700 m range rider-to-passenger or vehicle-to-vehicle communication.
- Conference-call ability.
- Full cross-platform Bluetooth compatibility.
- Voice-activated.
- Bluetooth connectivity iOS® and Android® smartphones and A2DP MP3 player with auto-mute during incoming calls.
- Integrated FM Radio with 6 station presets and auto-search & tune.
- Satellite navigator integration via Bluetooth (compatible models only).
- Windows® and OS X® compatibility.



NEW

**NOLAN B901-R BLUETOOTH COMMUNICATION SYSTEM**  
Single pack · 4485900090



## USE THIS CHART TO FIND THE COMMUNICATION SYSTEM THAT FITS YOUR NEEDS.

FEATURES	SENA 30K BLUETOOTH	NOLAN B901-R BLUETOOTH
Bluetooth	4.1	4.1
Universal Intercom	✓	✓
Intercom Connections*	Private mode - 16 riders within 2 km (1.2 mi) range Mesh Intercom - Limitless amount of 30K users within 1.6 km (1 mi) range	"Rider/Passenger" intercom via Bluetooth Bike-to-bike intercom - 0.7 km (0.4 mi) range
Cell Phone and/or GPS and/or MP3 Player Compatible	✓	✓
Advance Noise Control	✓	✓
FM Radio	✓	✓
Voice Command	✓	✓
Smartphone application	✓ (iPhone and Android)	✓ (iPhone and Android)
Helmet Integration	External (Universal Mounting)	Fully Integrated (Nolan's Helmets: N40-5, N87, N100-5)

\*Can be connected via Bluetooth to intercom systems of other brands.





## GLOVES

### ALL WEATHER

#### LEATHER GLOVES

- Fine grade leather.
- Fit perfectly to offer warmth and protection for mild weather.
- Suede forefinger to wipe visor.
- Padded palm for comfort during longer rides.

Shell: Cow Leather

**Men's Blake**  
446290 · M, L, XL, 2XL, 3XL · Black (90)

**NEW**

**Ladies' Veronica**  
446313 · S, M, L, XL, 2XL · Black (90)



Men's

Ladies'

### HOT WEATHER

#### MECHANIC GLOVES

- Multizone padded palm reduces hand fatigue from shock and vibration.
- Pre-curved design for improved fit.
- Double Clarino® layer at palm and thumb for extra durability and increased comfort.

Shell: Nylon, Polyester,  
Polyurethane, Spandex  
446267 · S, M, L, XL, 2XL · Black (90)



## PROTECTIVE GUARDS



#### RETRO REFLECTIVE ARMBAND

- To wear on bicep over a jacket to be more visible.
- Velcro attachment.
- Meets France retro-reflective equipment legislation.

Polyester, Spandex  
453674 · One size · Hi-Vis Yellow (26)



#### REMOVABLE BACK PROTECTORS

- High shock absorbing performance.
- Maximal comfort.
- Can be inserted in most Can-Am Spyder jackets inside pouches for extra protection.

Viscoelastic Polyurethane Foam  
447321 · S, L, XL · Black (90)



#### REMOVABLE ELBOW, KNEE OR SHOULDER PROTECTORS

- Same protector for elbow, knee or shoulder.
- Can be inserted in most Can-Am Spyder riding gear inside pouches for extra protection.
- Sold in pairs.

Viscoelastic Polyurethane Foam.

**Men's**  
447313 · One size · Black (90)

**Ladies'**  
447322 · One size · Black (90)

Some products may not be available or homologated in your region. Contact your dealer for more information.



## BAGS

#### CAN-AM SLAYER GEAR BAG BY OGIO

- Large main compartment with easy access to all gear.
- Large separated boot pocket.
- Zippered accessory pocket.
- Easy grab handles for transport.
- Detachable shoulder strap.
- Heavy-duty reinforced base.

4692940090 · Black



#### CAN-AM URBAN BACKPACK BY OGIO

- Airport security friendly protective laptop compartment.
- Padded iPad/tablet/e-reader pocket.
- Dual side water bottle/accessory holders.
- Fully adjustable ergonomic shoulder straps.
- Front pocket with two padded accessory compartments and slip pocket.

4692930090 · Black



**NEW**

#### CAN-AM ALL ELEMENT DRY BACKPACK BY OGIO

- 100% waterproof roll-top construction.
- Generous 26-liter (7 US gallons) capacity.
- Back panel allows airflow to keep rider cool.
- Strap-containment system keeps straps secured at high speeds.
- Adjustable sternum strap and dual-density shoulder straps maximize comfort.
- High-visibility 360° reflective screen print and removable high-visibility liner.
- Complete with zippered easy-access front stash pocket and dual-pocket organization panel and laptop/tablet sleeves.

4693020090 · Black

# SPORTSWEAR

You're unique. You've always known the journey was the destination, and Can-Am On-Road the only way to get there. Confidence, determination, and a sense of adventure got you this far, so wear your heart on your sleeve, and enjoy the ride in style.



TECHNICAL LONG SLEEVE TEE 454146



RIDE TEE 454147



JESS LONG SLEEVE TEE 454144

## SAY HELLO TO THE NEW YOU.



ORIGINAL TEE 454068



**MEN'S SPORTSWEAR**

**TEES**

**NEW**

**CALIBER POLO**

· Moisture wicking polyester to keep you cool and dry.  
88% Polyester, 12% Spandex  
454141  
S, M, L, XL, 2XL, 3XL  
Black (90), Heather Grey (27)



**NEW**

**TECHNICAL LONG SLEEVE TEE**

· Stretchable technical fabric provides easy movement.  
92% Polyester, 8% Spandex  
454145  
S, M, L, XL, 2XL, 3XL  
Black (90)



Back

**NEW**

**ORIGINAL TEE**

100% Cotton  
454068  
XS, S, M, L, XL, 2XL, 3XL  
Black (90), White (01)



**NEW**

**LONG SLEEVE ORIGINAL TEE**

100% Cotton  
454085  
S, M, L, XL, 2XL, 3XL  
Black (90), White (01)



Some products may not be available or homologated in your region. Contact your dealer for more information.



**CAPS**



**NEW**

**CRUISE CAP**

· Wear-resistant, comfortable and breathable cotton canvas.  
· Rear plastic size-adjustment strap.  
100% Cotton  
447542 - One size - Black (90), Whiskey (28)



**NEW**

**CALIBER CAP**

· Durable, comfortable and breathable cotton twill.  
· Rear plastic size-adjustment strap.  
100% Cotton  
447541 - One size - Grey (09), Black (90)



**NEW**

**CLASSIC CAP**

· Adjustable back strap.  
100% Cotton  
448522 - One size - Grey (09), Red (30), Blue (80), Navy (89), Black (90)



LADIES' SPORTSWEAR

TEES

NEW

RIDE TEE

· Comfortable, breathable, and stretchable cotton jersey/spandex blend.  
95% Cotton jersey, 5% Spandex  
454147  
S, M, L, XL, 2XL, 3XL  
Light Blue (81), Navy (89)



NEW

TECHNICAL LONG SLEEVE TEE

· Stretchable technical fabric provides easy movement.  
92% Polyester, 8% Spandex  
454146  
S, M, L, XL, 2XL, 3XL  
Black (90)



Back

NEW

ORIGINAL TEE

95% Cotton, 5% Spandex  
454071  
XS, S, M, L, XL, 2XL  
Black (90), White (01)



NEW

JESS LONG SLEEVE TEE

· Comfortable and breathable cotton jersey fabric.  
95% Cotton jersey, 5% Spandex  
454144  
XS, S, M, L, XL, 2XL, 3XL  
Black (90), Purple (40)



CAP

NEW

JANE CAP

· Durable, comfortable and breathable cotton twill.  
· Rear plastic size-adjustment strap.  
100% Cotton  
447543 · One size · Charcoal Grey (07), Black (90)



**IF WE SELL IT,  
WE STAND  
BY IT.**

**BRP LIMITED WARRANTY\*  
FOR NEW RIDING PARTS,  
ACCESSORIES AND RIDING GEAR.**

**2 YEAR LIMITED WARRANTY\*\***

**GENUINE BRP PARTS AND ACCESSORIES**  
installed by you or your authorized BRP dealer

**AFTERMARKET PRODUCTS SOLD BY BRP**

**RIDING GEAR**

**4 YEAR LIMITED WARRANTY\*\***

**HELMETS**



**GET ALL THE DETAILS FROM YOUR CAN-AM SPYDER DEALER**

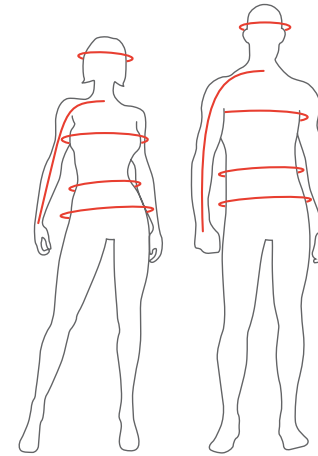
\* Purchased at an authorized BRP dealership / distributor or on a BRP-authorized online store. Other exclusions may apply, see complete limited warranty or contact your Can-Am Spyder authorized dealer.

\*\* Unless otherwise stipulated or required by law.

This limited warranty does not apply to factory installed accessories. This limited warranty does not apply on Evinrude parts and accessories.

**HOW TO MEASURE**

For best results, have someone else take measurements. Measure body in underwear. Tape must be snug but not tight. If measurements fall between two sizes, order the larger size.



**HEAD**

Around your head, from the center of the forehead, above the ears and over the natural bump at the back of the head.

**CHEST/BUST**

Measure under your arms, around the fullest part of your chest.

**WAIST**

Measure around your natural waistline, keeping one finger between the tape and body.

**HIPS**

Across the fullest part of the seat.

**ARM LENGTH**

Let hands down the side in a slightly bent position. Measure from center back neck bone, along shoulder point and elbow, to bottom of wrist bone.

**GLOVES**

Measure palm width.

**WHAT CODE REPRESENTS YOUR SIZE?**

1. Find your size.
2. The corresponding code is THE CODE you use to complete the part number on your order. Example: 440227\_\_90  
Size: M = Code 06  
Therefore 440227 06 90

**MEN'S REGULAR · 1.77 M - 1.83 M**

CALIBER, CRUISE, RUSSELL MESH JACKETS & SPORTSWEAR							
	XS	S	M	L	XL	2XL	3XL
Chest (cm)	84-89	89-94	94-102	102-112	112-122	122-132	132-142
Waist (cm)	69-74	74-79	79-86	86-97	97-107	107-117	117-127
Hips (cm)	84-89	89-94	94-102	102-112	112-122	122-132	132-142
Arm length (cm)	76-79	79-81	81-84	84-86	86-89	89	89-91

**MEN'S PLUS SIZE · 1.77 M - 1.83 M**

VOYAGER & SHAUN PLUS MESH JACKETS						
	L PLUS	XL PLUS	2XL PLUS	3XL PLUS	4XL PLUS	5XL PLUS
Chest (cm)	109-119	119-130	130-140	140-150	150-157	157-168
Waist (cm)	102-112	112-122	122-132	132-142	142-150	150-173
Hips (cm)	110-121	121-131	131-141	141-151	151-159	159-182
Arm length (cm)	84	86	89	89	91	91

**LADIES' REGULAR · 1.64 M - 1.77 M**

CALIBER, CRUISE, KATE MESH JACKETS & SPORTSWEAR							
	XS	S	M	L	XL	2XL	3XL
Chest (cm)	81-86	86-91	91-99	99-107	107-114	114-124	124-134
Waist (cm)	61-66	66-71	71-76	76-86	86-94	94-104	104-114
Hips (cm)	86-91	91-97	97-102	102-112	112-119	119-132	132-140
Arm length (cm)	79	79-81	81	81-83	83	83-86	86

**LADIES' PLUS SIZE · 1.64 M - 1.77 M**

VOYAGER & EMMA PLUS MESH JACKETS						
	M PLUS	L PLUS	XL PLUS	2XL PLUS	3XL PLUS	4XL PLUS
Chest (cm)	99-107	107-114	114-122	122-132	132-142	142-152
Waist (cm)	81-86	86-97	97-104	104-114	114-124	124-135
Hips (cm)	104-109	109-119	119-127	127-137	137-147	147-157
Arm length (cm)	80	81	83	84	86	86

**REMOVABLE BACK PROTECTORS**

CALIBER, VOYAGER & CRUISE JACKETS		
	Men's Jacket Sizes	Ladies' Jacket Sizes
S	S and M	XS to L
L	L to 2XL	XL to 5XL
XL	3XL to 5XL	-

**MEN'S PANTS**

	30	32	34	36	38	40	42	44	46	48
Waist (cm)	76-81	81-86	86-91	91-97	97-102	102-107	107-112	112-117	117-122	122-127
Hips (cm)	91-97	97-102	102-107	107-112	112-117	114-122	122-127	127-132	132-137	137-142
Inseam (cm)	80	81	81	81	81	81	81	81	83	83

**LADIES' PANTS**

	6	8	10	12	14	16	18	20	22
Waist (cm)	71-74	74-76	76-79	79-84	84-89	89-94	94-102	102-107	107-112
Hips (cm)	97-99	99-102	102-104	104-109	109-114	114-119	119-127	127-132	132-137
Inseam (cm)	76	76	76	76	76	76	77	77	77

**MEN'S GLOVES**

	XS	S	M	L	XL	2XL	3XL
cm	3	7.5	8.5	9.5	10.5	11.5	14

**LADIES' GLOVES**

	XS	S	M	L	XL	2XL
cm	5.7	6.8	7.5	8.3	9	11.5

**HELMETS**

	XS	S	M	L	XL	2XL	3XL
Head circumference (cm)	53-54	55-56	57-58	59-60	61-62	63-64	65-66

**CAN-AM SPYDER RIDING BOOTS**

SIZE US	7	8	9	10	11	12	13
SIZE EU	40	41	42	43	44	45	46
Foot length (in)	10.0	10.2	10.5	10.7	11.0	11.3	11.5
Foot length (cm)	25.3	26.0	26.7	27.3	28.0	28.7	29.3

<b>Code</b>	00	02	04	72	06	09	73	12	14	16	25	27	28	29	30	31	32
<b>Size</b>	OS	XS	S	S/M	M	L	L/XL	XL	2XL	3XL	6	7	8	9	10	11	12
<b>Code</b>	33	34	35	78	92	93	37	38	39	40	41	42	43	44	45	46	
<b>Size</b>	13	14	16	18	20	22	30	32	34	36	38	40	42	44	46	48	
<b>Code</b>		62		63		64		65		66		67		68			
<b>Size</b>		M PLUS		L PLUS		XL PLUS		2XL PLUS		3XL PLUS		4XL PLUS		5XL PLUS			

## GENUINE CAN-AM PARTS

### REMEMBER WHAT MADE YOU FALL FOR A CAN-AM SPYDER?

Precisely engineered. Rigorously tested. Factory approved. The Ultimate Can-Am On-Road experience continues with the Genuine Can-Am parts.

# GENUINE PARTS THAT SET THE STANDARD

1 YEAR WARRANTY ON ALL GENUINE CAN-AM PARTS

Regular maintenance ensures your Can-Am Spyder performance stays at its peak.



#### TIRES

706202317 Front 165/55R 15  
706201411 Front 165/65R 14  
705501464 Rear 225/50R 15

#### BRAKE PAD KITS

Spyder 2013 and up  
219800237 Front  
219800239 Rear

#### AIR FILTERS

All Spyder models with 1330 engine  
707800483

#### XPS ENGINE OILS

779247 SM5  
779248 SE5  
779249 1330 engine

#### XPS BRAKES & PARTS CLEANER

219701705

#### XPS EXTENDED LIFE PRE-MIXED COOLANT

779150

#### XPS FUEL STABILIZER

779171

#### XPS BRAKE FLUID

779151

#### DRIVE BELTS

Spyder RT 2014 and up  
705501304  
All Spyder F3 models  
705502157

#### YUASA® BATTERIES

410922962 21 Amps (YTX24HL)

#### NGK® SPARK PLUGS

415129670 MR7BI-8  
219800231 KR8BI  
278002297 DCP-R9E  
707000246 DCP-R8E

Some products may not be available or homologated in your region. Contact your dealer for more information.



#### AIR FILTERS

- Prevent airborne contaminants from reaching your engine.
- Protect internal components against premature wear.

**Spyder RS 2008-2012**

707800188

**Spyder RS 2013 and up, Spyder RT with 998 cc engine 2010-2013, all Spyder ST models**

707800306

**All Spyder models with 1330 engine**

707800483



#### BRAKE PAD KITS

- Brembo® brake systems are considered to be the benchmark for quality and innovation, delivering the ultimate in performance, comfort, quiet, and durability.

**Spyder 2013 and up**

219800237 - Front

219800239 - Rear

- Provide excellent performance, quiet, and durability in all road conditions.

**Spyder 2012 and prior**

219800164 - Front

219800165 - Rear



#### TIRES

- Designed to work in tandem with the Can-Am Spyder innovative Vehicle Stability System to provide an ultra-stable, confident ride.

706202317 - Front - 165/55R 15

706201411 - Front - 165/65R 14

705501464 - Rear - 225/50R 15

#### YUASA® BATTERIES

- Absorbed Glass Mat (AGM) technology offers durability, electrical reliability, near maintenance-free performance, making it ideal for the Can-Am Spyder.
- Spill-proof design with the ability to hold its charge three times longer and than conventional lead-acid batteries in stand-by mode.

410922962 - 21 Amps (YTX24HL)



#### NGK® SPARK PLUGS

- NGK spark plugs are recommended by BRP and ensure your Can-Am Spyder's ROTAX engine runs smoothly and delivers optimum power at all times.
- Consistent, reliable performance make it an OEM favorite.

415129670 - MR7BI-8

219800231 - KR8BI

278002297 - DCP-R9E

707000246 - DCP-R8E



#### DRIVE BELTS

- High-tensile strength carbon cord and HNBR rubber construction delivers impressive durability, superior flexibility and reduced noise, while resisting abrasion.
- Tooth-side fabric composed of special low-friction fiber.

**Spyder RT 2014 and up**

705501304

**All Spyder F3 models**

705502157



# XPS ENGINE OILS



### 4T 5W40 SYNTHETIC BLEND OIL

- Powersport formula with premium anti-wear and anti-corrosion additives.
  - Wet clutch, turbo and supercharged compatible.
- 779133 · 946 ml / 1 quart  
779290 · Europe

779134 · 3.785 L / 1 US gallon  
779291 · Europe

### 4T 5W-40 SYNTHETIC BLEND OIL CHANGE KIT

- Ultra-convenient "all-in-one" oil change kit saves time and money.
  - Includes XPS Synthetic or Synthetic Blend Oil, oil filter, o-rings and washer.
- |            |            |                    |
|------------|------------|--------------------|
| <b>SM5</b> | <b>SE5</b> | <b>1330 ENGINE</b> |
| 779247     | 779248     | 779249             |

# XPS MAINTENANCE PRODUCTS

### DOT 4 BRAKE FLUID

- Meets or exceeds all DOT3 and DOT4 brake fluid requirements.
  - High-temperature formula resists fade, and also conditions seals and o-rings in braking system.
- 779151 · 355 ml / 12 fl. oz.  
779207 · Europe



### RACING BRAKE FLUID RS600

- Exceeds DOT4 brake fluid requirements for extreme conditions.
  - Extreme, 579-degree boiling point temperature is ideal for high-demand conditions to combat brake fade.
- 779152 · 355 ml / 12 fl. oz.  
779209 · Europe



### EXTENDED LIFE PRE-MIXED COOLANT

- Antifreeze/Coolant contains the correct dilution and the necessary additives to prevent corrosion and inhibit cavitation in BRP cooling systems.
  - Long-life, 5-year formula specially formulated for BRP vehicles.
  - Superior heat transfer.
  - Ideal replacement for vehicles that normally use a 2-year antifreeze/coolant (green).
  - 5 years (orange).
- 779150 · 946 ml / 1 quart  
779223 · Europe



### FUEL TREATMENT CARBON FREE

- Combination of a fuel treatment and a fuel system cleaner that can be used periodically to restore lost starting or throttle performance, as well as maintain fuel system integrity and keep internal engine parts clean.
  - It treats fuel for storage and addresses the moisture problems inherent in today's Ethanol-blended fuels, keeping ferrous and soft metal parts clean and free of corrosion.
  - Uses patented, state-of-the-art additives.
  - Cleans valves, sticky rings and combustion chamber.
- 779169 · 355 ml / 12 fl. oz.  
779220 · Europe



### FUEL STABILIZER

- Ethanol-compatible and will stabilize fuel in your tank to keep it from breaking down and causing hard starting, throttle hesitation and poor run quality.
  - Ethanol attracts moisture, and this product contains powerful anti-corrosion additives to protect fuel system components.
  - Prevents problems associated with E10 fuels.
- 779171 · 236 ml / 8 fl. oz.  
779183 · Europe



### SYNTHETIC GREASE SUSPENSION

- Designed to work specifically with the components found in Can-Am vehicles suspensions.
  - It is highly stable and offers optimal lubrication at both extreme cold and high temperatures while protecting suspension components from dirt and moisture, as well as corrosion under extreme washout conditions.
- 779163 · 400 g / 14 oz.  
779226 · Europe



### ANTI-CORROSIVE LUBRICANT

- Multipurpose lubricant that can also be used to prevent rust, corrosion and moisture intrusion.
  - It contains extreme pressure additives that work as an all-around lubricant for just about anywhere lubrication is needed.
- 779168 · 340 g / 12 oz.  
779168 · Europe



# XPS CLEANERS



### BRAKES & PARTS CLEANER

- A concentrated blend of solvents with a powerful blasting spray that effectively removes grease, grime, brake fluid and other contaminants from brake components and metal parts without the need for disassembly.
  - Evaporates instantly and completely, leaving no residue to hinder performance.
  - Contains no ozone depleters.
- 219701705 · 397 g / 14 oz.



### SPRAY CLEANER & POLISH

- Removes dirt, grease, road grime and water marks easily and quickly.
  - Non petroleum based formula will not harm plastic finishes.
- 219702844 · 340 g / 12 oz.



### CAN-AM SPYDER WASH

- A biodegradable non-toxic cleaner that removes dirt and road grime better than any other cleaner.
  - Simply spray on and rinse off.
  - When used as directed, XPS Can-Am Spyder Wash is safe for all roadster finishes.
- 219701703 · 946 ml / 32 oz.



### MICROFIBER TOWELS

- The latest in high-quality detailing towels.
  - Made up of extremely fine fibers, their soft surfaces have been perfected for drying and polishing painted, gel coated and hard shiny surfaces.
  - They are so absorbent they hold up to seven times their weight in water.
  - Machine washable means they can be used over and over again.
- Pack of 2.  
219701759



### CAN-AM SPYDER CLEANING AND DETAILING KIT

- Everything needed for care and cleaning.
  - Includes multi-surface XPS Metal Polish, degreasing XPS Roadster Wash, showroom shine XPS Spray Cleaner & Polish, super absorbent and machine washable XPS Microfiber Towels.
- 219702872





Rotax 1330 ACE™ engine

# WHY XPS OIL IS THE PERFECT FIT FOR YOUR ROTAX ENGINE?

Whether you purchased it as a necessity for transportation, or the pure exhilaration of performance, your Can-Am On-Road vehicle is an investment – get the most out of it. XPS lubricants are the only lubricants specifically engineered to do that with your Rotax-powered Can-Am vehicles.

## UNMATCHED RELIABILITY

Get the most out of every mile on every ride.

## ULTIMATE PERFORMANCE

Engineered to match the advanced performance of Rotax engines.

## MADE FOR THIS

Developed with Rotax engines to deliver the best performance and lubrication in all conditions.



VISIT THE [CANAMSPYDER.COM](http://CANAMSPYDER.COM) PARTS & MAINTENANCE SECTION TO SEE THE FULL LINE OF XPS LUBRICANTS.

EXPLORE AN ENTIRE WORLD OF ADVENTURE WITH ALL OF OUR BRP PRODUCTS. [BRP.COM](http://BRP.COM)



ski-doo LYNX SEAWOOD EVIRUDE ROTAX can-am